

SPARE PARTS CATALOG

CM 12



MOVINCOOL®
THE #1 SPOT COOLING SOLUTION

Table of Contents

No.	UNIT PART NUMBER	PRODUCTION PERIOD	REFRIGERANT	SECTION	ISSUE DATE (mm/'yy)
1	484000-3940	FROM January 2009 (0109) TO Present	R410A	Page 3 ~ 12 IZZPL-03A	03/'10
2	484000-3640	FROM March 2006 (0306) TO December 2008 (1208)	R22	Page 13 ~ 22 IZZPH-01C	03/'10

© 2010 DENSO SALES CALIFORNIA, INC

All rights reserved. This book may not be reproduced or copied, in whole or in part, without the written permission of the publisher. DENSO SALES CALIFORNIA, INC. reserves the right to make changes without prior notice. MovinCool is a registered trademark of DENSO Corporation.

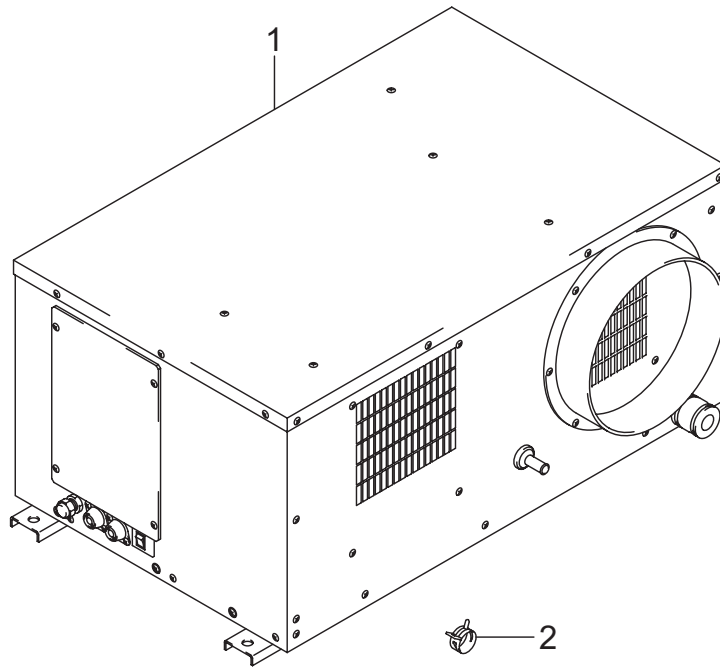
CM 12

Unit Part No: 484000-3940

Production Period: From January 2009 (0109)
To Present

[Memo]

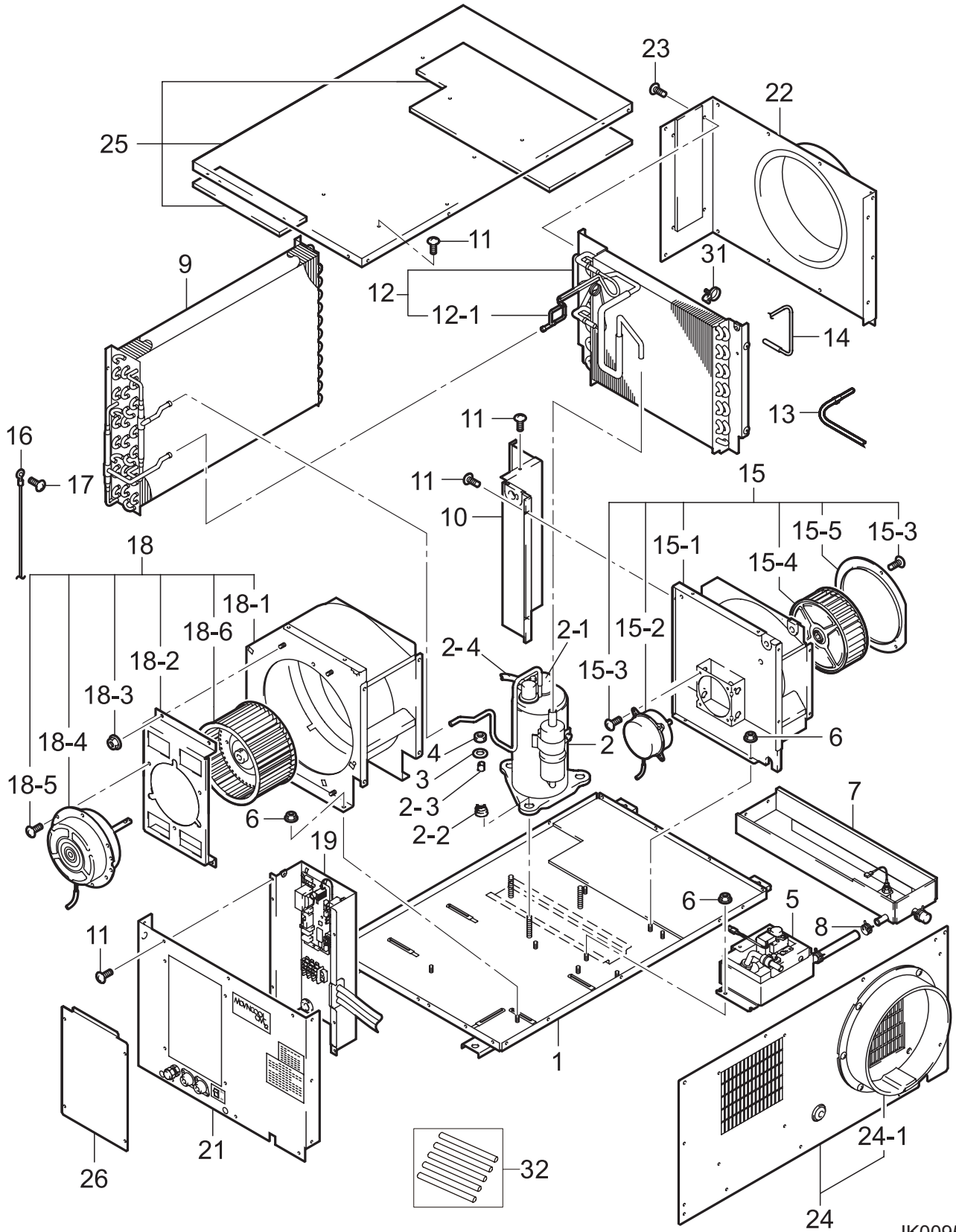
┌



IH0001

ILLUSTRATION NUMBER	DENSO NUMBER	MANUFACTURER NUMBER	DESCRIPTION	QTY	MODIFICATION DATE	REMARKS
1			UNIT ASSY			NO SUPPLY*
2	949351-0410		CLIP, HOSE	1		

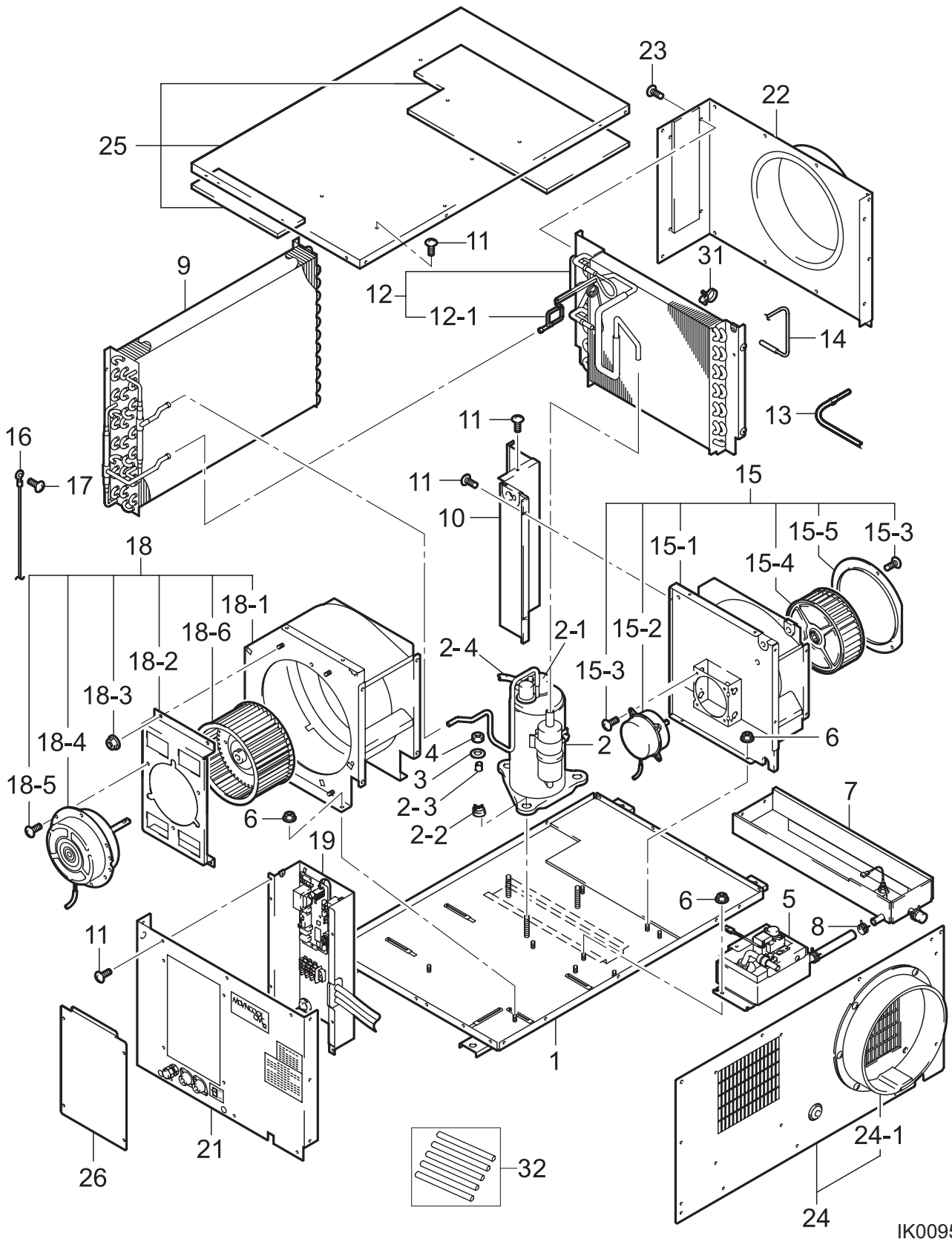
NO SUPPLY* : Supply as sub-assembly only.



IK0095

ILLUSTRATION NUMBER	DENSO NUMBER	MANUFACTURER NUMBER	DESCRIPTION	QTY	MODIFICATION DATE	REMARKS
1			UNIT ASSY			NO SUPPLY*
2	484650-2930		FRAME ASSY			NO SUPPLY
2-1	484501-0400		COMPRESSOR ASSY	1		W/ILL. 2-1 ~ 2-4
2-2	484904-0380		RELAY, OVERLOAD	1		
2-3	484915-0410		CUSHION	3		
2-4	481950-0391		COLLAR	3		
3	481950-0391		WIRE ASSY	1		
3	949011-5330		WASHER, STEEL PLATE	3		
4	90190-08651		NUT, HEXAGON	3		M8
5	484780-0201		PUMP ASSY	1		
6	949056-3700		NUT	9		M5
7	484430-0590		PAN ASSY, DRAIN	1		
8	949351-0800		CLIP, HOSE	1		ID18.5
9	484600-2380		CORE ASSY	1		
10	484310-5550		FRAME SUB-ASSY	1		
11	949006-5850		SCREW	55		M4,L10
12	484600-2390		CORE ASSY	1		w/ILL. 12-1
12-1	484800-4670		PIPE ASSY	1		CAPILLARY
13	482780-0960		THERMISTOR ASSY	1		ANTI FREEZE
14	482780-0830		THERMISTOR ASSY	1		ROOM
15			BLOWER ASSY			NO SUPPLY*
15-1	484300-2660		FRAME ASSY	1		
15-2	484211-1761		MOTOR	1		(IDFM)
15-3	949006-5850		SCREW	7		M4,L10
15-4	484221-0570		FAN	1		(ID)
15-5	484381-0662		RING	1		
16	484932-0732		WIRE	1		FOR GROUND
17	91051-04100		SCREW, CROSSRECESS PAN	1		M4,L10
18			BLOWER ASSY			NO SUPPLY*
18-1	484300-3000		FRAME ASSY	1		
18-2	484301-4631		FRAME	1		
18-3	949056-3700		NUT	4		M5
18-4	484211-1770		MOTOR	1		(ODFM)
18-5	90050-06101		SCREW, CROSSRECESS PAN	3		M6,L10
18-6	484221-0580		FAN	1		(OD)
18-7	484381-0390		RING	1		
18-8	949006-5850		SCREW	3		
19			CONTROLLER ASSY			NO SUPPLY*
21			PANEL ASSY			NO SUPPLY
22	484410-9100		PANEL ASSY	1		
23	949001-1570		SCREW, TAPPING	4		D4,L10
24	484410-7871		PANEL ASSY	1		w/ILL. 24-1

NO SUPPLY* : Supply as sub-assembly only.



IK0095

ILLUSTRATION NUMBER	DENSO NUMBER	MANUFACTURER NUMBER	DESCRIPTION	QTY	MODIFICATION DATE	REMARKS
24-1	484360-0660		DUCT SUB-ASSY	1		
25	484410-9130		PANEL ASSY	1		
26	484410-9120		PANEL ASSY	1		
31	482852-0930		CLIP, NONMETALLIC	2		FOR THERMISTOR
32	484800-0440		PIPE ASSY	1		FOR CHARGING

NO SUPPLY* : Supply as sub-assembly only.

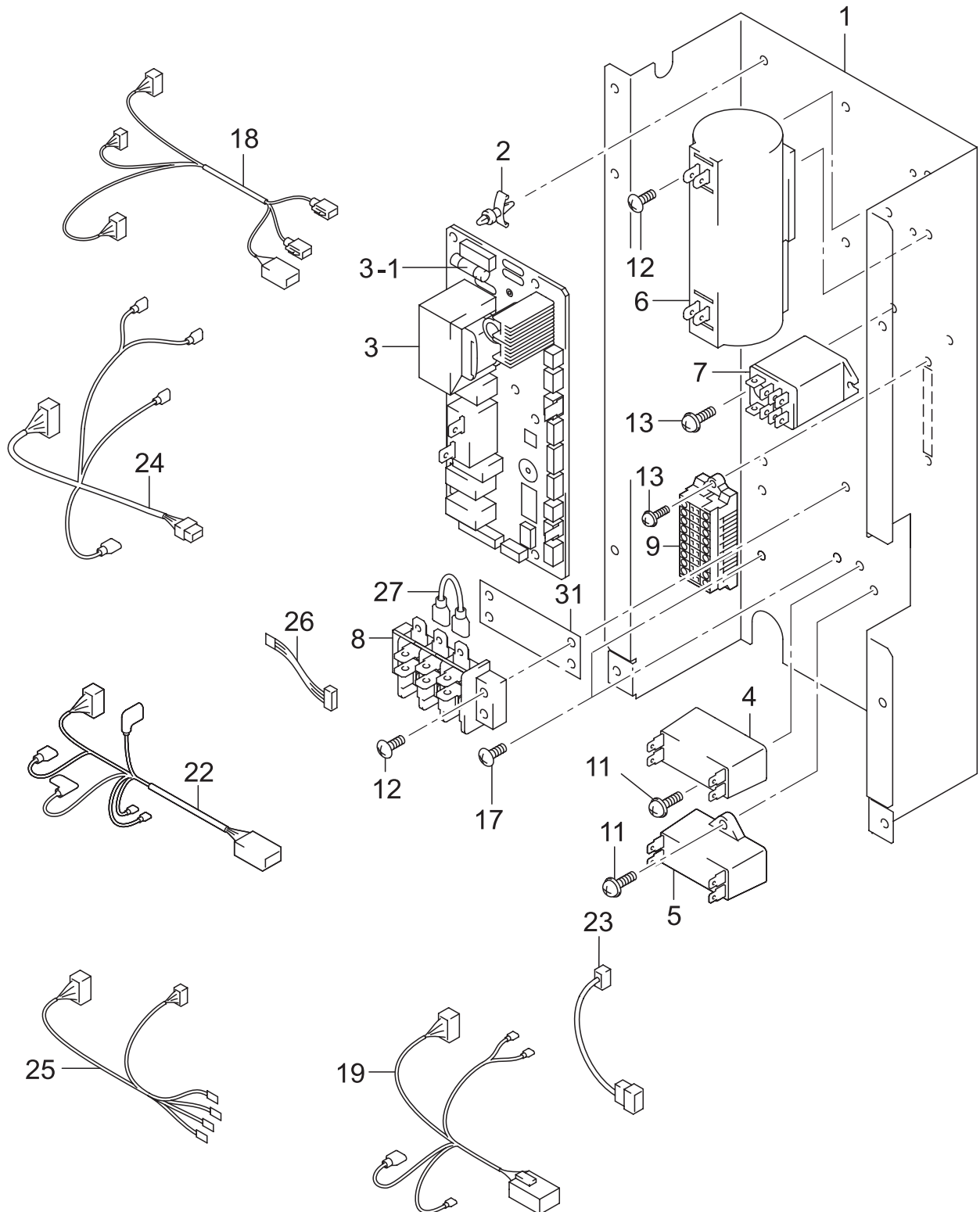
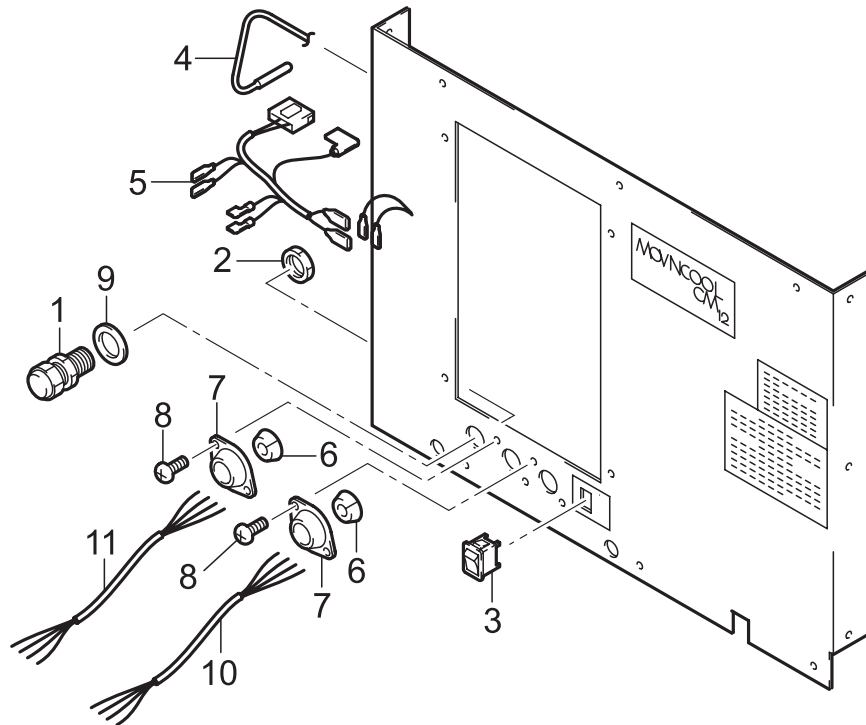


ILLUSTRATION NUMBER	DENSO NUMBER	MANUFACTURER NUMBER	DESCRIPTION	QTY	MODIFICATION DATE	REMARKS
			CONTROLLER ASSY			NO SUPPLY*
1	484521-1180		BOX	1		
2	482125-3170		SUPPORT	6		
3	484500-3651		CONTROLLER ASSY	1		(RB), W/ILL. 3-1
3-1	481936-0140		FUSE	1		5A, 250V, 5 PIECE*
4	484507-1500		CONDENSER	1		7 μ F, 250V (IDCF)
5	484507-1510		CONDENSER	1		9 μ F, 220V (ODCF)
6	484507-1740		CONDENSER	1		60 μ F, 370V (CC)
7	484531-0710		RELAY	1		
8	484503-0430		TERMINAL	1		TB-A, FOR POWER
9	484503-0730		TERMINAL	1		TB-B, FOR SIGNAL
11	949006-3250		SCREW	4		M4, L10
12	949006-3280		SCREW	2		M4, L18
13	949006-6220		SCREW	4		M3, L12
17	91051-04100		SCREW, CROSSRECESS PAN	2		M4, L10
18	481950-0450		WIRE ASSY	1		RB~THERMISTOR
19	481950-0460		WIRE ASSY	1		ODCF~ODFM
22	481950-0410		WIRE ASSY	1		RB~PUMP
23	484930-8791		WIRE ASSY	1		RB~OD THERMISTOR
24	484930-8802		WIRE ASSY	1		RB~TB-B
25	481950-0430		WIRE ASSY	1		RB~TB-B
26	481950-0420		WIRE ASSY	1		RB~TB-B
27	484930-8841		WIRE ASSY	1		TB-A (R~1)
31	484311-1650		PLATE	1		

NO SUPPLY* : Supply as sub-assembly only.

5 PIECE* : Supply as 5 pieces per package.



IK0096

ILLUSTRATION NUMBER	DENSO NUMBER	MANUFACTURER NUMBER	DESCRIPTION	QTY	MODIFICATION DATE	REMARKS
			PANEL ASSY			NO SUPPLY*
1	484926-0450		GROMMET	1		
2	484919-0070		NUT, HOLDER	1		
3	484502-0440		SWITCH	1		
4	482780-0801		THERMISTOR ASSY	1		FOR OUTDOOR
5	481950-0400		WIRE ASSY	1		SWITCH-TB-A
6	484926-0110		GROMMET	2		ID8.0
7	484917-0012		CLIP	2		
8	949006-5850		SCREW	4		M4,L10
9	484311-3230		PLATE	1		
10	484930-8862		WIRE ASSY	1		FOR CONTROLLER
11	484930-8872		WIRE ASSY	1		FOR SIGNAL

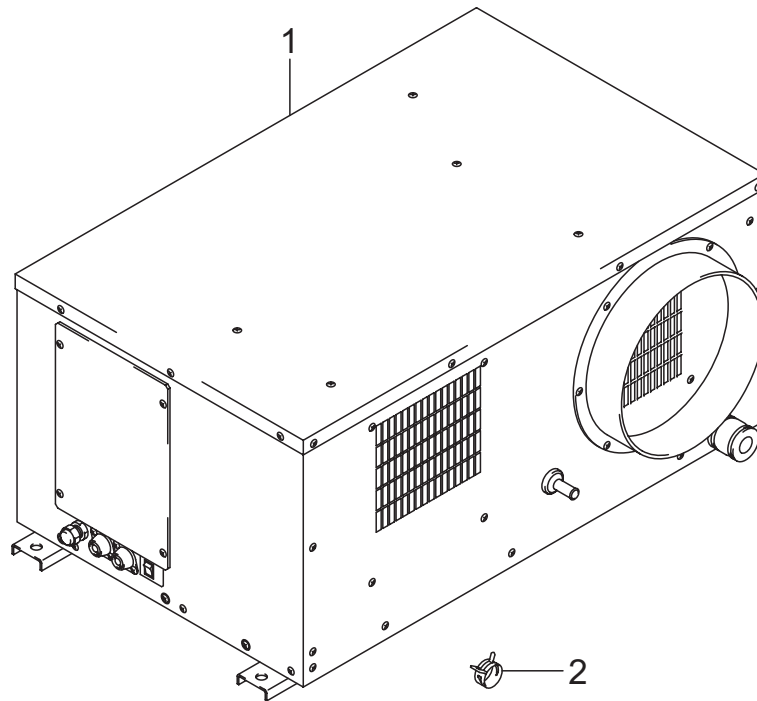
NO SUPPLY* : Supply as sub-assembly only.

CM 12

Unit Part No: 484000-3640

Production Period: From March 2006 (0306)
To December 2008 (1208)

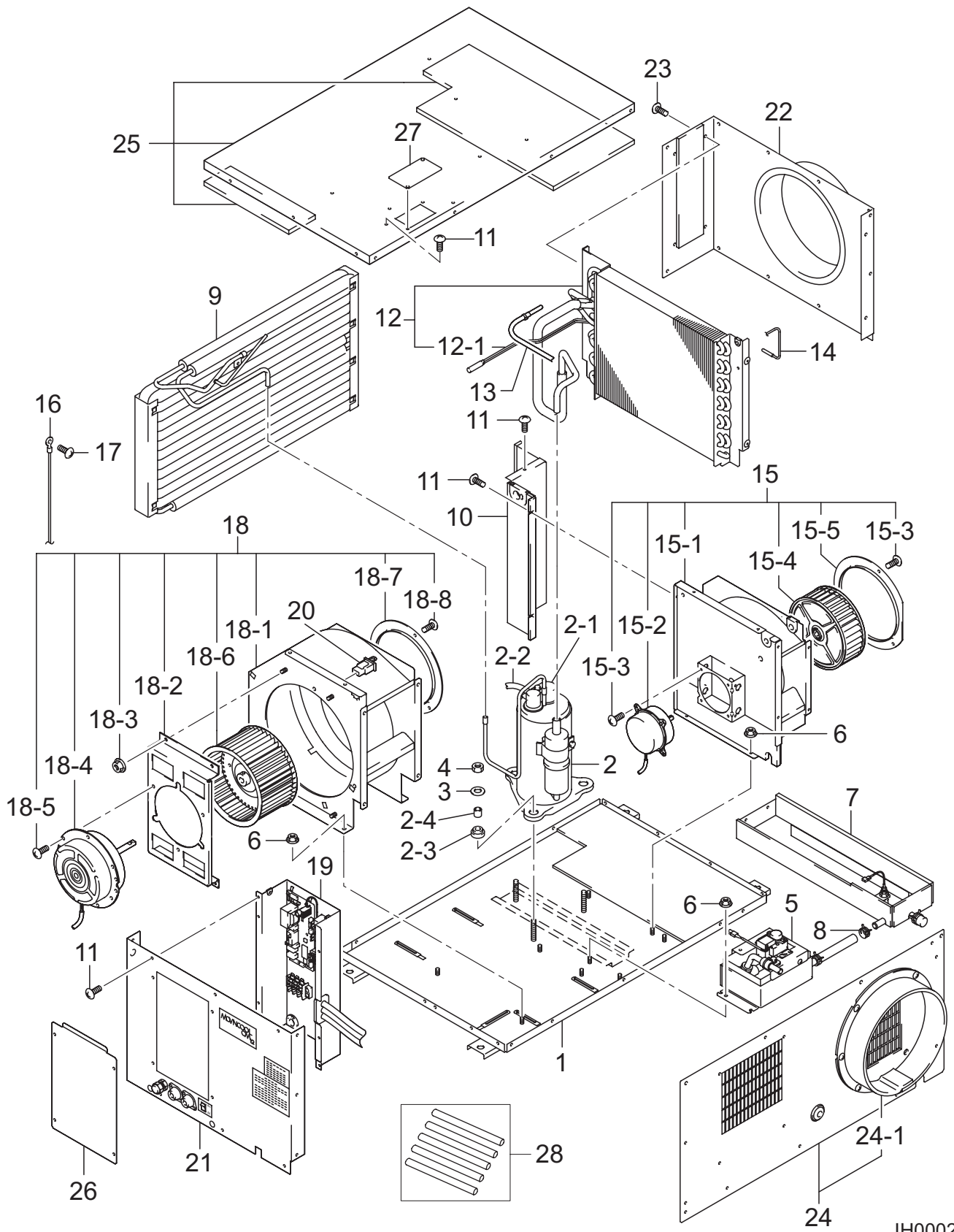
[Memo]



IH0001

ILLUSTRATION NUMBER	DENSO NUMBER	MANUFACTURER NUMBER	DESCRIPTION	QTY	MODIFICATION DATE	REMARKS
1			UNIT ASSY, INSPAC			NO SUPPLY*
2	949351-0410		CLIP, HOSE	1		

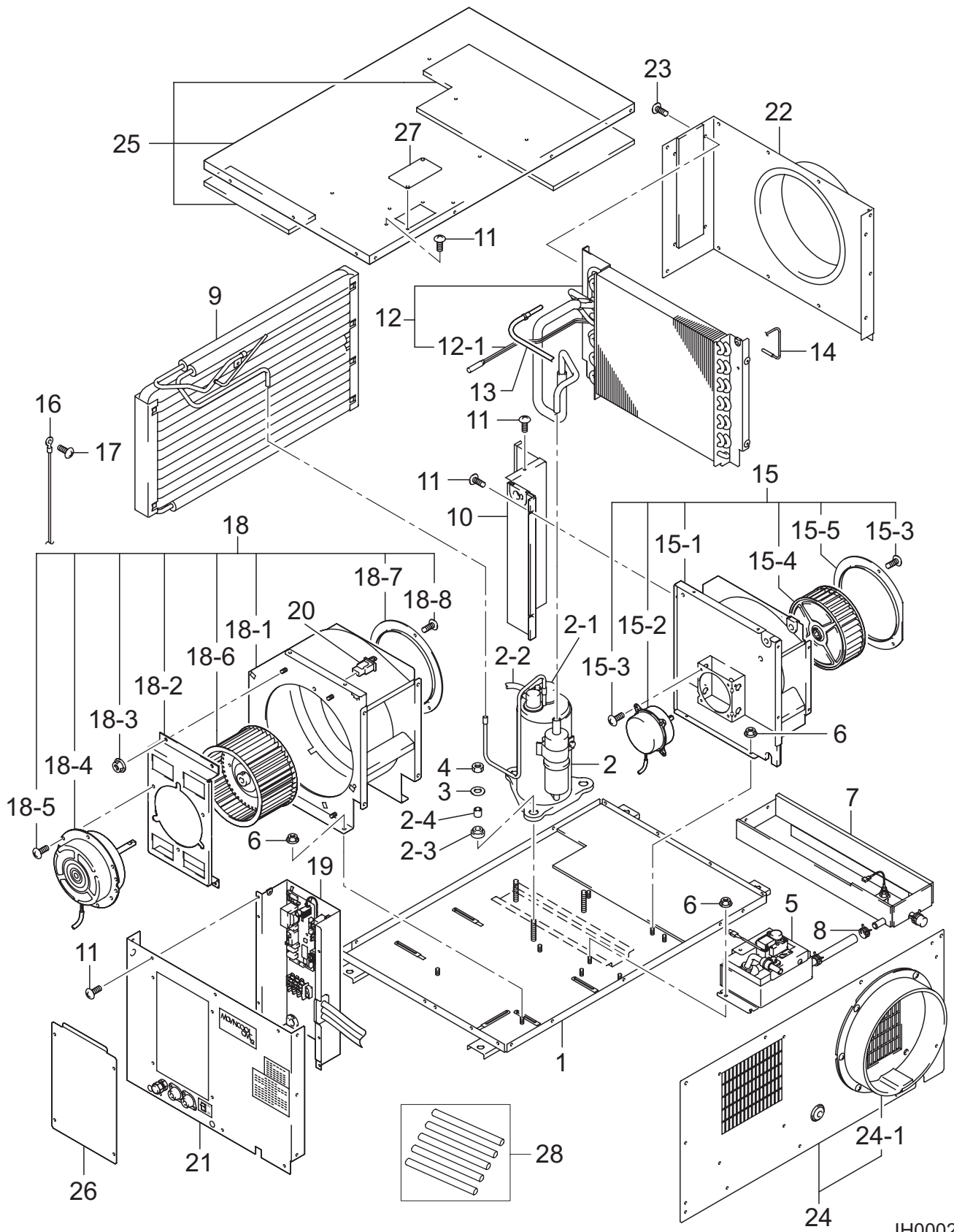
NO SUPPLY* : Supply as sub-assembly only.



IH0002

ILLUSTRATION NUMBER	DENSO NUMBER	MANUFACTURER NUMBER	DESCRIPTION	QTY	MODIFICATION DATE	REMARKS
1			UNIT ASSY			NO SUPPLY*
2	484650-2460		FRAME ASSY			NO SUPPLY
2-1	484501-0400		COMPRESSOR ASSY	1		W/ILL. 2-1 ~ 2-4
2-2	484930-8742		RELAY, OVERLOAD	1		
2-3	484904-0380		WIRE ASSY	1		
2-4	484915-0410		CUSHION	3		
3	949011-5330		COLLAR	3		
4	90190-08651		WASHER, STEEL PLATE	3		M8
5	484780-0201		NUT, HEXAGON	3		
6	949056-3700		PUMP ASSY	1		M5
7	484430-0590		NUT	9		
8	484430-0590		PAN ASSY, DRAIN	1		
9	949351-0800		CLIP, HOSE	1		ID18.5
10	484600-2090		CORE ASSY	1		CONDENSER
11	484310-4980		FRAME SUB-ASSY	1		
12	949006-5850		SCREW	55		M4,L10
12-1	484600-2100		CORE ASSY	1		EVAPORATOR,W/ILL. 12-1
13	484800-4020		PIPE ASSY	1		
14	482780-0960		THERMISTOR ASSY	1		ANTI FREEZE
15	482780-0830		THERMISTOR ASSY	1		ROOM
15-1			BLOWER ASSY			NO SUPPLY*
15-2	484300-2660		FRAME ASSY	1		
15-3	484211-1761		MOTOR	1		(IDFM),EVAPORATOR
15-4	949006-5850		SCREW	7		M4,L10
15-5	484221-0570		FAN	1		EVAPORATOR
16	484381-0662		RING	1		INLET
17	484932-0732		WIRE	1		GROUND
18	91051-04100		SCREW, CROSSRECESS PAN	1		M4,L10
18-1			BLOWER ASSY			NO SUPPLY*
18-2	484300-2670		FRAME ASSY	1		
18-3	484301-4631		FRAME	1		
18-4	949056-3700		NUT	4		M5
18-5	484211-1770		MOTOR	1		(ODFM),CONDENSER
18-6	90050-06101		SCREW, CROSSRECESS PAN	3		M6,L10
18-7	484221-0580		FAN	1		CONDENSER
18-8	484381-0390		RING	1		INLET
19	949006-5850		SCREW	3		
20			CONTROLLER ASSY			NO SUPPLY*
21	484930-8831		WIRE ASSY	1		
22	484410-7851		PANEL ASSY	1		LEFT SIDE
23	484410-7900		PANEL ASSY	1		RIGHT SIDE
	949001-1570		SCREW, TAPPING	4		D4,L10

NO SUPPLY* : Supply as sub-assembly only.



IH0002

ILLUSTRATION NUMBER	DENSO NUMBER	MANUFACTURER NUMBER	DESCRIPTION	QTY	MODIFICATION DATE	REMARKS
24	484410-7871		PANEL ASSY	1		FRONT,WILL. 24-1
24-1	484360-0660		DUCT SUB-ASSY	1		FLANGE
25	484410-7880		PANEL ASSY	1		TOP
26	484410-7890		PANEL ASSY	1		SERVICE
27	484311-3220		PLATE	1		TOP COVER
28	484800-0440		PIPE ASSY	1		FOR CHARGING

NO SUPPLY* : Supply as sub-assembly only.

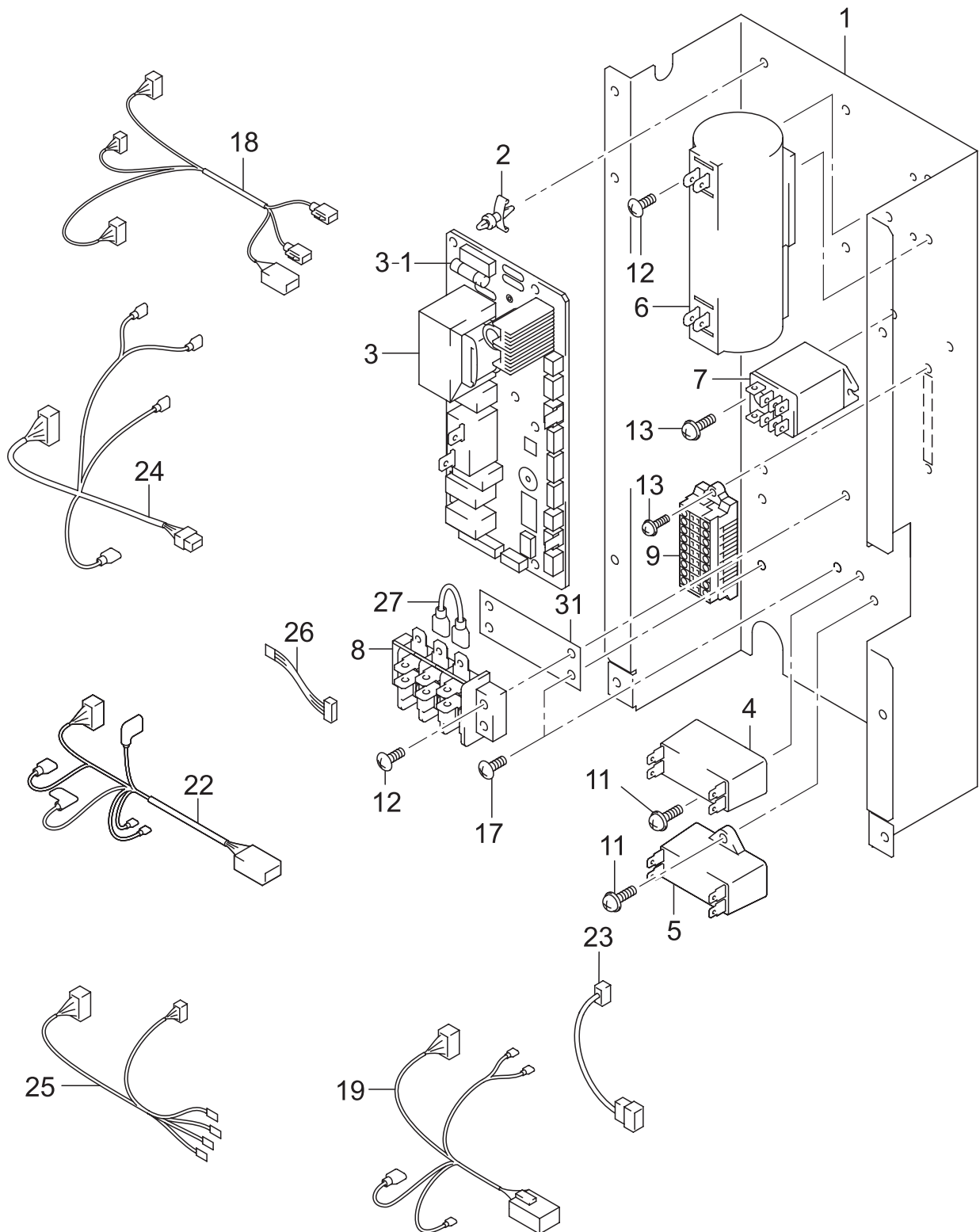
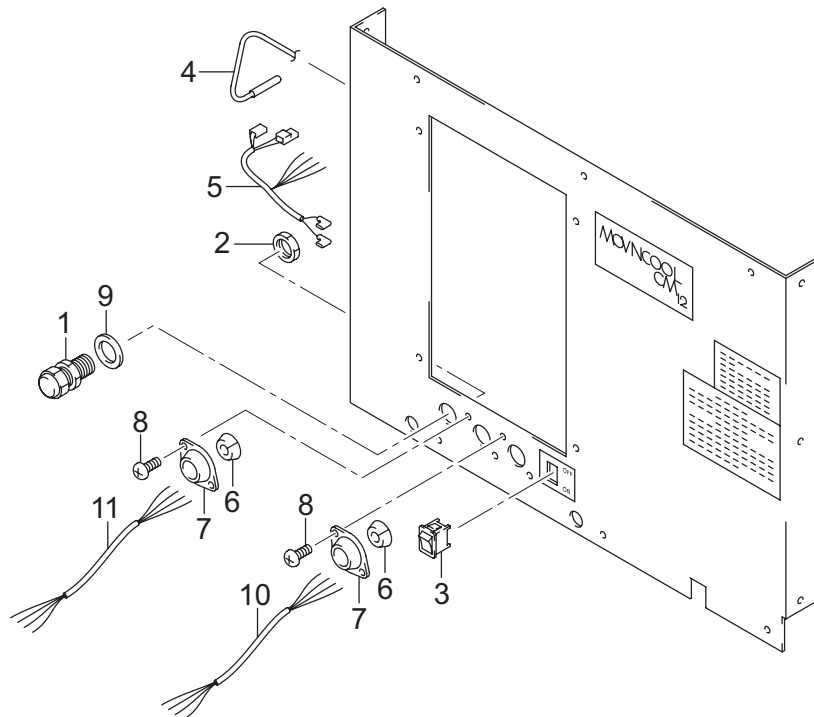


ILLUSTRATION NUMBER	DENSO NUMBER	MANUFACTURER NUMBER	DESCRIPTION	QTY	MODIFICATION DATE	REMARKS
			CONTROLLER ASSY			NO SUPPLY*
1	484521-1050		BOX	1		
2	482125-3170		SUPPORT	6		
3	484500-3820		CONTROLLER ASSY	1		(RB),W/ILL.3-1
3-1	481936-0140		FUSE	1		5A,250V,5PIECE*
4	484507-1500		CONDENSER	1		7 μ F 250VAC(CFI)
5	484507-1510		CONDENSER	1		9 μ F 220VAC(CFO)
6	484507-1520		CONDENSER	1		50 μ F 250VAC(CC)
7	484531-0710		RELAY	1		
8	484503-0430		TERMINAL	1		TB-A
9	484503-0730		TERMINAL	1		TB-B
11	949006-3250		SCREW	2		M4,L10
12	949006-3280		SCREW	4		M4,L18
13	949006-6220		SCREW	4		M3,L12
17	91051-04100		SCREW, CROSSRECESS PAN	3		M4,L10
18	484930-8753		WIRE ASSY	1		TB-A ~ RB
19	484930-8762		WIRE ASSY	1		TB-A ~ RB ~ Thermistor (ANTI FREEZE. ROOM)
22	484930-8783		WIRE ASSY	1		TB-A ~ RB ~ ODFM ~ CFO
23	484930-8791		WIRE ASSY	1		RB ~ OD Thermistor
24	484930-8802		WIRE ASSY	1		TB-A ~ RB ~IDFM ~ CFI
25	484930-8812		WIRE ASSY	1		TB-A ~ RB ~ CC ~ PUMP
26	484930-8821		WIRE ASSY	1		RB ~ TB-B
27	484930-8841		WIRE ASSY	1		TB-A (T ~ 1)
31	484311-1650		PLATE	1		

NO SUPPLY* : Supply as sub-assembly only.

5PIECE* : Supply as 5 pieces per package.



IH0008

ILLUSTRATION NUMBER	DENSO NUMBER	MANUFACTURER NUMBER	DESCRIPTION	QTY	MODIFICATION DATE	REMARKS
	484410-7851		PANEL ASSY	1		
1	484926-0450		GROMMET	1		
2	484919-0070		NUT, HOLDER	1		
3	484502-0440		SWITCH	1		
4	482780-0801		THERMISTOR ASSY	1		OUTDOOR
5	484930-8772		WIRE ASSY	1		SIGNAL LINE
6	484926-0100		GROMMET	2		ID9.2
7	484917-0012		CLIP	2		BLANKING COVER
8	949006-5850		SCREW	4		M4,L10
9	484311-3230		PLATE	1		
10	484930-8862		WIRE ASSY	1		For CONTROLLER
11	484930-8872		WIRE ASSY	1		For WARNING SIGNAL

DENSO

DENSO SALES CALIFORNIA, INC.

Long Beach, CA 90810
www.movincool.com

First Issue: March 2010