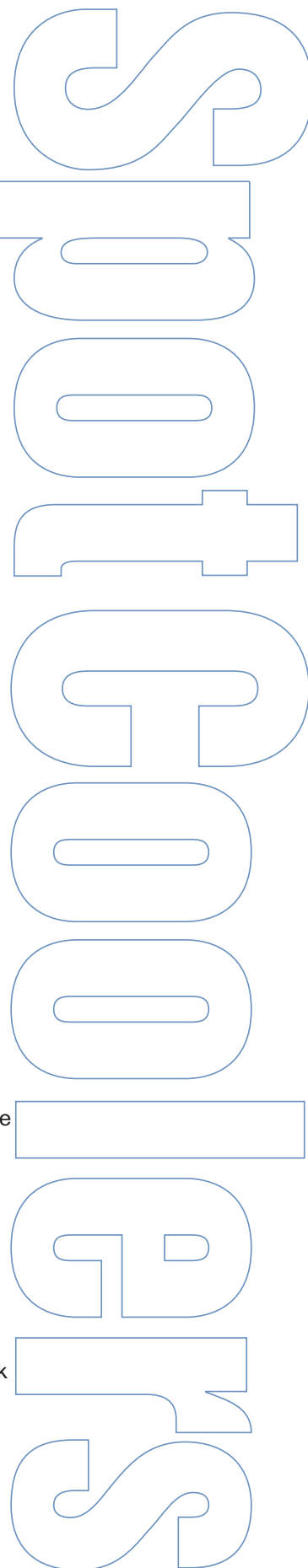


TTS 3200

Cooling Capacity	BTU/Hr. @ 80°F Indoors, 95°F Outdoors	28,000
Dimensions	Evaporator: Width (Inches)	34
	Depth (Inches)	15
	Height (Inches)	50
	Heat Exchanger: Width (Inches)	30
	Depth (Inches)	23
	Height (Inches)	20
Weight	Evaporator (Pounds)	280
	Heat Exchanger (Pounds)	143
	Main Hose section, 16' (Pounds)	20
Electrical Characteristics	Power Supply (Volts)	208/230/60/1 Phase
	Power Consumption (Kilowatts)	4.2
	Current Consumption (Amperes)	21/19
	Fuse Size (Amperes)	30
	NEMA Plug Configuration	6-30P
	Min-max Voltage	187-253 Volt
	Power Cord Gauge	12AWG (3 Wire)
	Power Cord Length (Feet)	9
Compressor Characteristics	Compressor Type	Hermetic Reciprocal
	R 22 Charge (Pounds)	2.75
	Operating Conditions	40F°-110°F
Fan Characteristics	Evaporator: Fan Type	Centrifugal
	Air Flow (CFM) High/Low	944
	Max. External Static Pressure (Inches Of Water Gauge)	0.125
	Heat Exchanger: Fan Type	Propeller
	Air Flow (CFM) High/Low	1,900/1,100
	Max. External Static Pressure (Inches Of Water Gauge)	0.00
Safety Devices	Compressor Overload	Yes
	Low Pressure Switch	Yes
	High Pressure Switch	Yes
	Compressor Time Delay	Yes (6 min.) Adjustable
	Fan Motor Protection	Yes
	Thermostat	Yes
	Indicator Lamps (Power, Cooling, Fault)	Yes
Liquid Charge	Total Gallons	3.0
	%Water	66%
	%Glycol	34%
Miscellaneous Features	Hose Dimensions	2.75 Width/1.25 Thick
	Main Section - Length/Feet	*25
	Hose Section (Weight precharged)	25lbs
	Max. Hose Length (Feet)	100
	Built-In Condensate Pump (Lift Feet)	16



TTS 3200

Spot Coolers

Power Supply 208/230 volts 60 hertz 1 phase 21 amperes

Evaporator:

Width 34 inches

Depth 15 inches

Height 50 inches

Weight (net/shipping) lbs 280/320

Heat Exchanger:

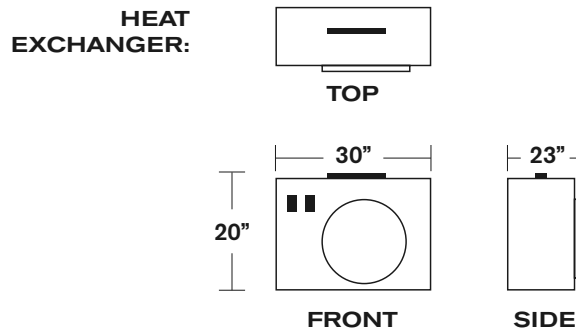
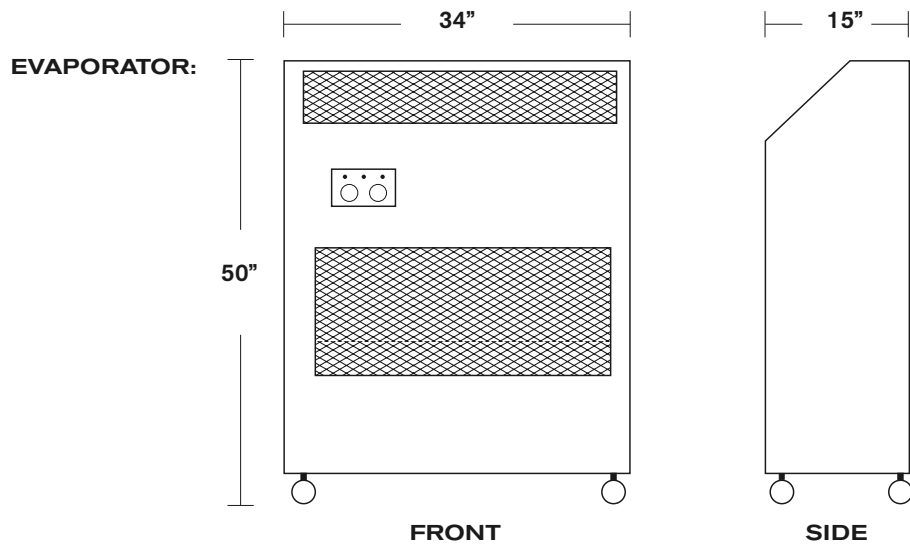
Width 30 inches

Depth 23 inches

Height 20 inches

Weight (net/shipping) lbs 143/170

All models are backed by a 12-month warranty



800.367.8675 • www.spot-coolers.com

Copyright © 2008 Spot Coolers, Inc. All rights reserved.