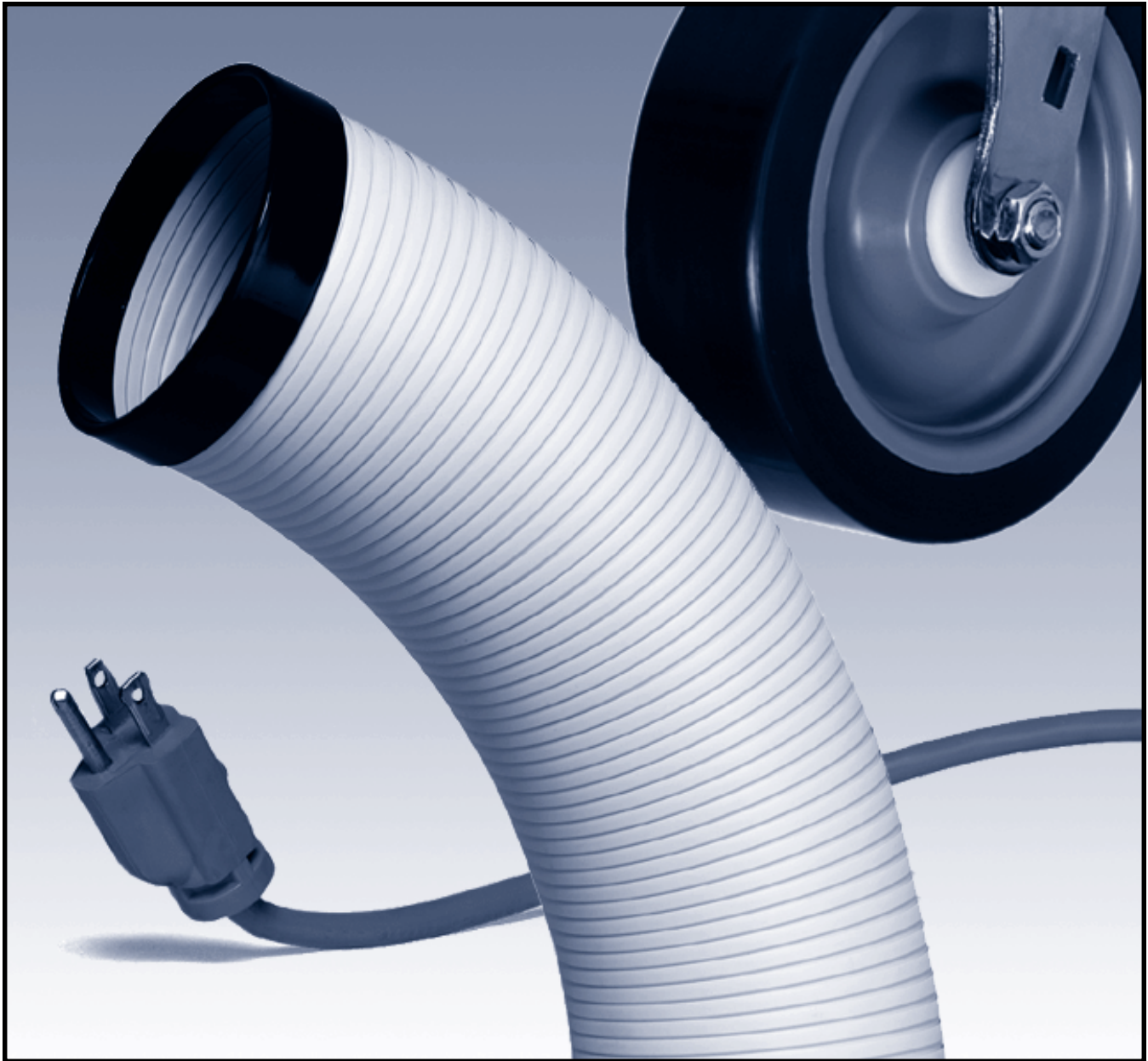


SPARE PARTS CATALOG

24HFU and 24HFU-1



DENSO SALES CALIFORNIA, INC.
REGISTERED TO ISO 9002
FILE NO. A5537

MOVINCOOL®

Pioneering New Solutions With Portable Air-Conditioning
(800) 264-9573

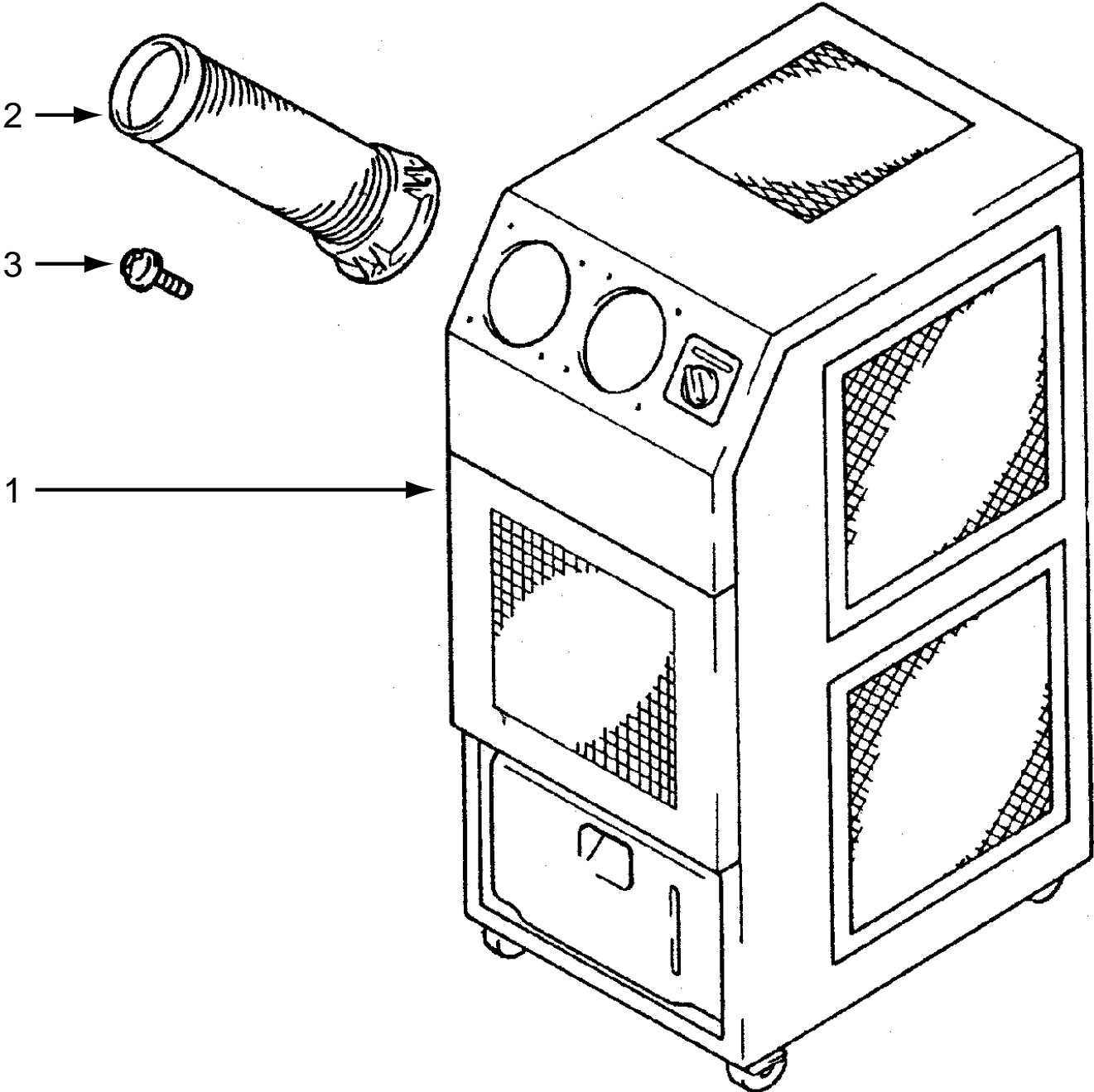
www.movincool.com

© 2000 DENSO SALES CALIFORNIA, INC.

All rights reserved. This book may not be reproduced or copied, in whole or in part, without the written permission of the publisher. DENSO SALES CALIFORNIA, INC. reserves the right to make changes without prior notice. MovinCool is a registered trademark of DENSO CORPORATION. This spare parts catalog consists of simple schematics with part numbers called out for all available parts to this product. Some part numbers described are available by assembly only.

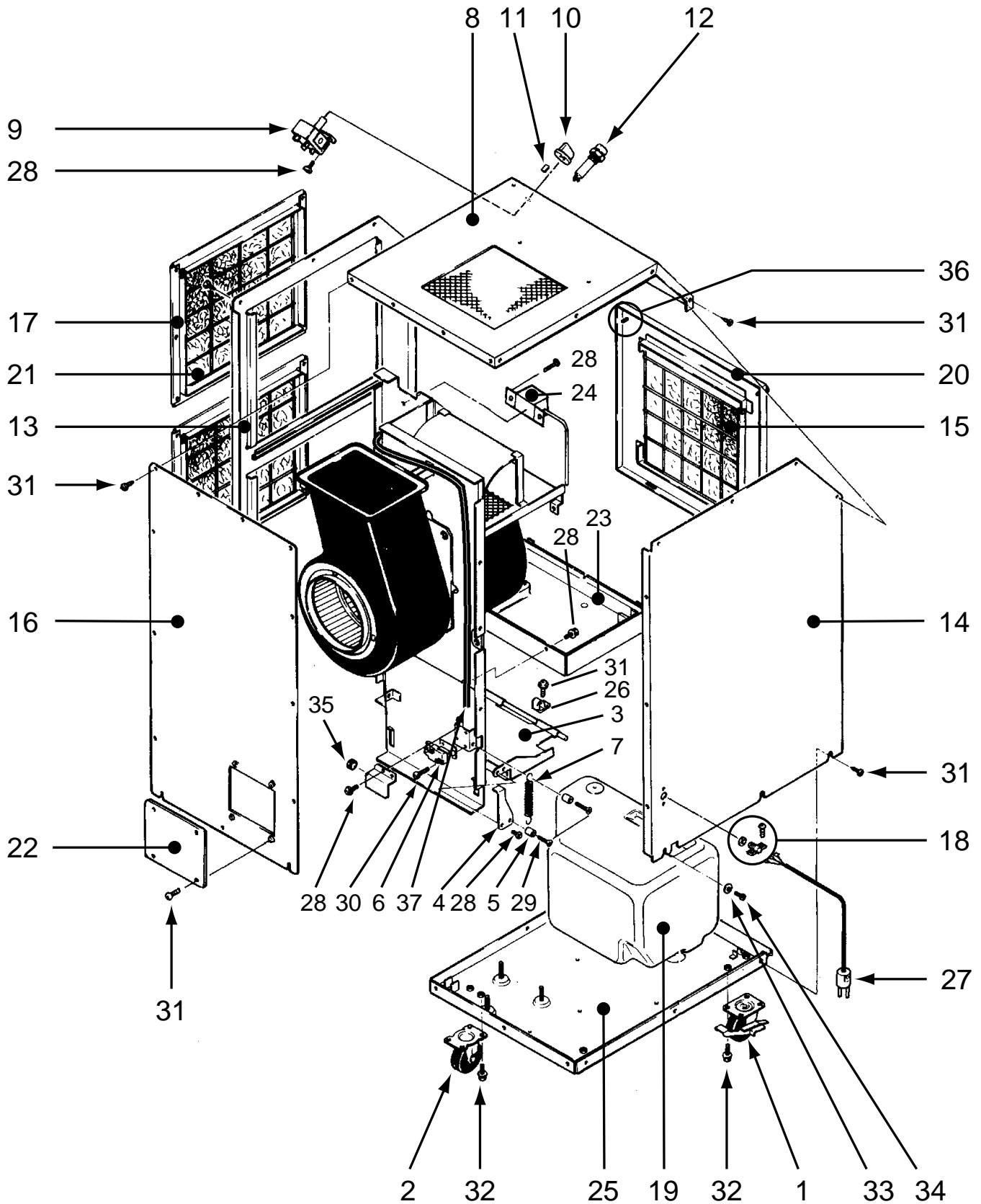
DSCA P/N: LA990009-0204-E

24HFU



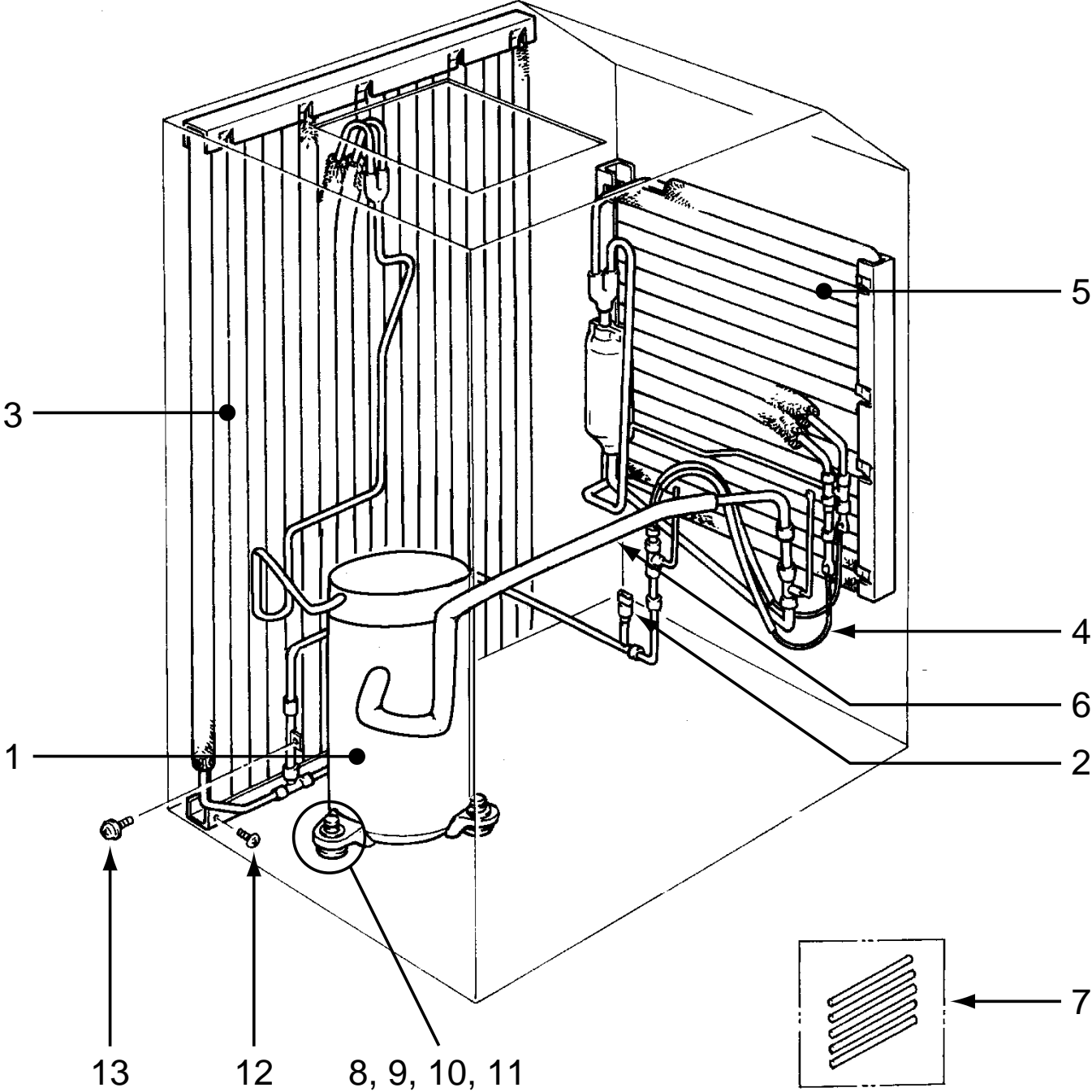
ILL. NO.	DESCRIPTION	PART NO.	QTY.	REMARKS
•	Air Conditioner Assy	24HFU		w/Duct Assy
1	Unit Assy			
2	Duct Assy	484209-0050	2	
3	Screw w/Washer	91370-06121	8	M6, ϕ 12

24HFU



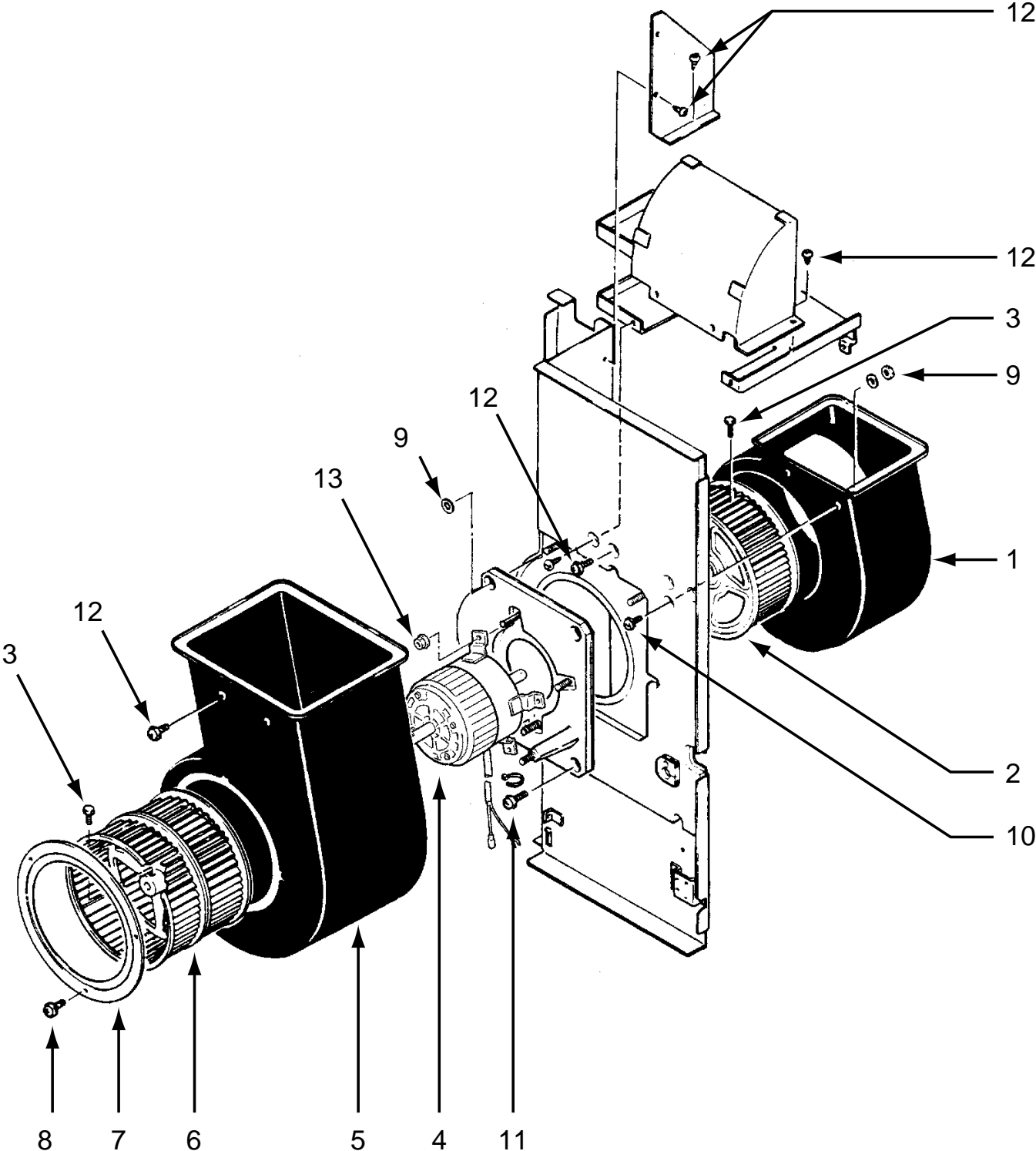
ILL. NO.	DESCRIPTION	PART NO.	QTY.	REMARKS
•	Unit Assy., 24HFU	24HFU		
1	Roller w/Brake	LA484702-0170	2	
2	Roller	LA484702-0180	2	
3	Frame Sub-Assy (Drain Tank)	LA484310-2770	1	
4	Bracket	LA484321-0510	1	
5	Socket	480837-0030	4	
6	Switch Assy, Drain Tank	LA484560-0850	1	
7	Spring, Tension Coil	949171-2090	2	
8	Panel, Upper	LA484410-4130	1	
9	Switch Control	484502-0070	1	
10	Knob, Control Switch	484923-0150	1	
11	Clip	484917-0131	1	
12	Lamp, Full Tank	LA484933-0190	1	
13	Panel, Right	LA484410-4120	1	
14	Panel, Left	LA484410-4140	1	
15	Element, Filter (Evaporator)	LA484401-1100	1	
16	Panel, Rear	LA484410-4110	1	
17	Frame Assy, Filter (Condenser)	LA484400-0300	2	
18	Conduit Assy	LA479748-0020	1	
19	Tank, Drain	484731-0021	1	
20	Panel, Front	LA484410-3920	1	
21	Element, Filter (Condenser)	LA484401-1110	2	
22	Panel, Service	LA484470-1870	1	
23	Drain Pan Assy	LA484430-0120	1	
24	Thermostat Assy, Freeze	LA484519-0100	1	
25	Frame Sub-Assy (Base)	LA484310-2620	1	
26	Holder	484927-0160	1	
27	Power Cord Assy	LA484930-4830	1	
28	Screw w/Washer	91370-04101	21	D4, ϕ 10
29	Screw	91060-04161	4	D4, ϕ 16
30	Screw w/Washer	91310-03161	2	D3, ϕ 16
31	Screw, Tapping	949007-6700	48	D4, ϕ 10
32	Bolt w/Washer	91510-08141	16	M8, ϕ 14
33	Washer, Plate	90201-06400	1	
34	Screw, Crossrecess Pan	90051-06120	1	
35	Grommet	484926-0500	1	
36	Clip	LA484923-0220	2	
37	Wire Harness	484930-4491	1	

24HFU



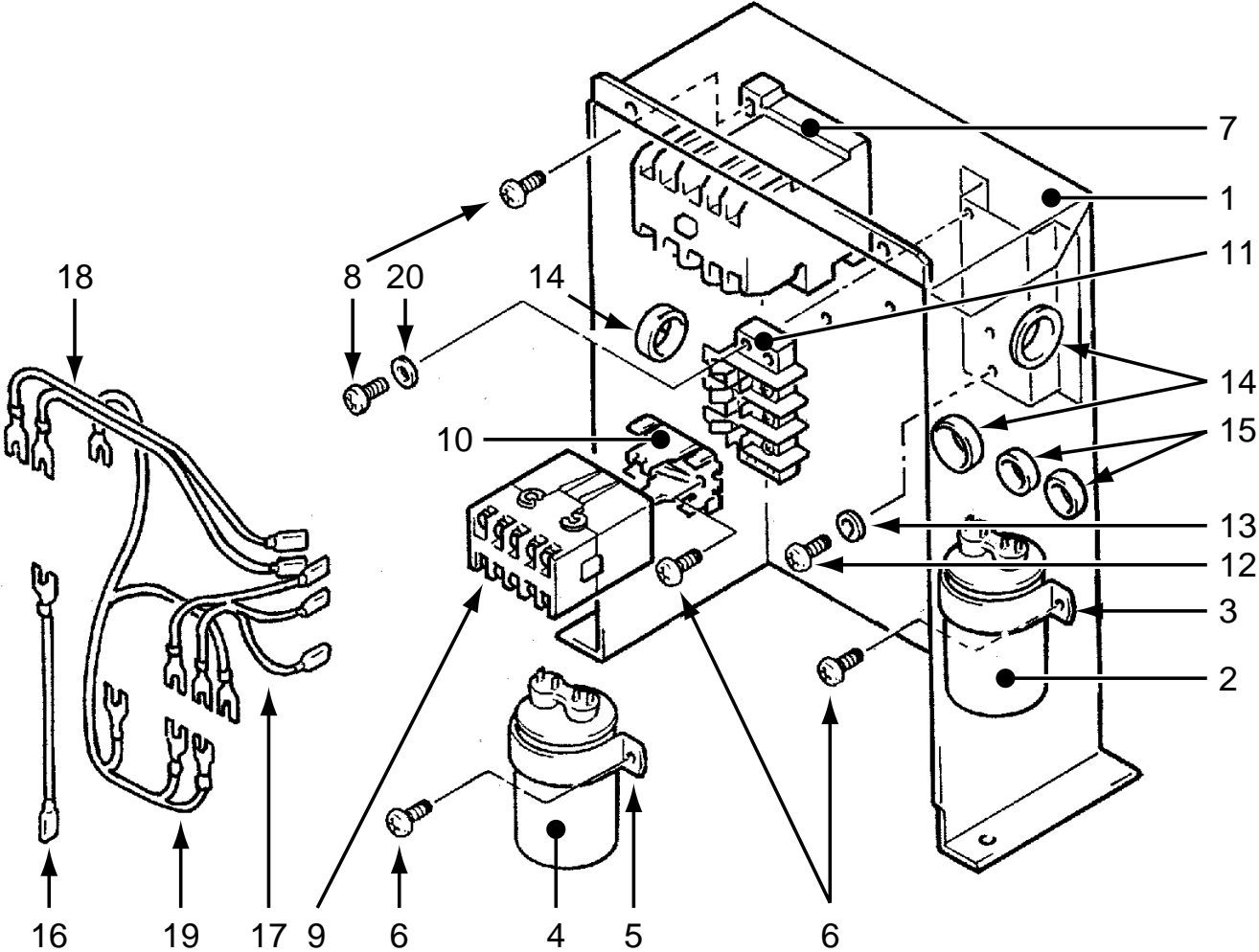
ILL. NO.	DESCRIPTION	PART NO.	QTY.	REMARKS
1	Compressor Assy	LA484650-1250	1	
2	High Pressure Switch Assy	LA484660-0300	1	
3	Core Assy, Condenser	LA484600-1260	1	
4	Pipe Assy, Capillary	LA484800-2760	1	
5	Core Assy, Evaporator	LA484600-1240	1	
6	Suction Pipe Assy	LA484800-2770	1	
7	Pipe Assy, Charging	484800-0440	1	5 per package
8	Cushion	LA484904-0220	4	
9	Collar, Steel	LA484915-0280	4	
10	Washer, Steel Plate	949011-5330	4	
11	Nut, Hexagon	90190-08651	4	
12	Screw, Tapping	949001-1570	4	
13	Screw, Crossrecess Pan	91051-04100	2	

24HFU



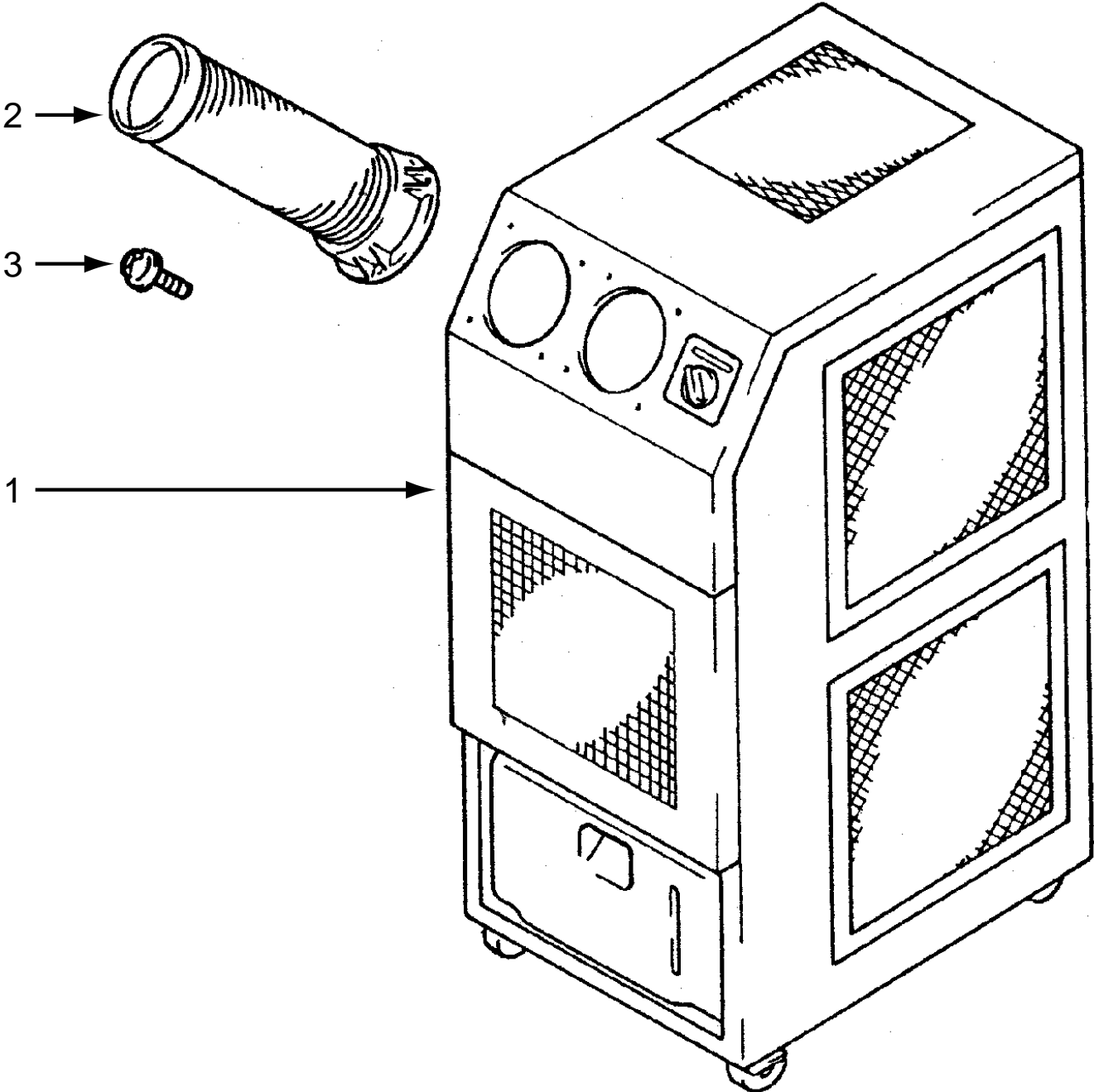
ILL. NO.	DESCRIPTION	PART NO.	QTY.	REMARKS
1	Casing, Evaporator Fan	484261-0010	1	
2	Fan, Evaporator	484221-0112	1	
3	Bolt, Hex	949040-6150	2	M10
4	Fan Motor	LA484211-1031	1	
5	Casing Assy, Condenser Fan	484260-0100	1	
6	Fan, Condenser	484221-0142	1	
7	Ring Sub-Assy	484280-0050	1	
8	Screw w/Washer	91370-04141	8	D4, ℓ14
9	Nut, Hex	92150-06061	2	
10	Screw w/Washer	91370-06161	4	D6, ℓ 16
11	Screw w/Washer	91370-06121	5	D6, ℓ 12
12	Screw w/Washer	949007-3600	2	D4, ℓ 10
13	Nut	949056-1430	4	

24HFU



ILL. NO.	DESCRIPTION	PART NO.	QTY.	REMARKS
1	Box Sub-Assy	LA484520-0640	1	
2	Capacitor, Fan	LA484507-0710	1	CF
3	Holder	LA484927-0880	1	
4	Capacitor, Compressor	LA484507-0720	1	CC
5	Holder	LA484927-0890	1	
6	Screw	949006-3250	6	
7	Relay, Compressor	484531-0190	1	(MCC)
8	Screw	949006-3280	4	
9	Relay, Auxilliary	LA484531-0430	1	(RX)
10	Holder	LA484927-0860	1	
11	Terminal Block	LA484503-0400	1	(TB)
12	Screw	91051-04100	3	
13	Washer, Plate	90201-04300	3	
14	Grommet	LA484926-0490	3	
15	Grommet	LA484926-0500	2	
16	Wire Assy	LA484930-4500	1	
17	Wire Assy	LA484930-4511	1	
18	Wire Assy	LA484930-4521	1	
19	Wire Assy	484930-4561	1	
20	Washer, Plate	90200-04331	2	

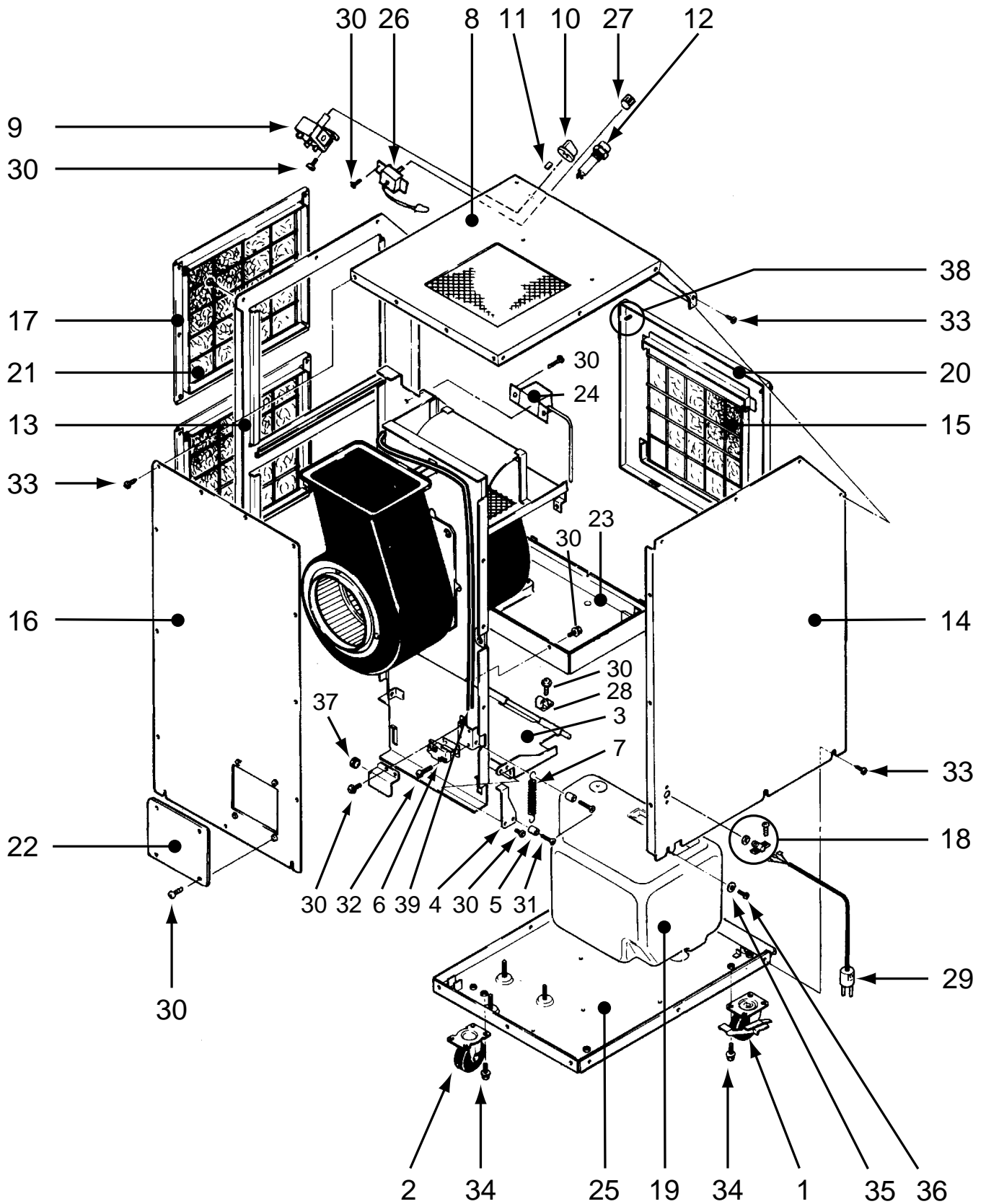
24HFU-1



24HFU-1

ILL. NO.	DESCRIPTION	PART NO.	QTY.	REMARKS
	• Air Conditioner Assy	24HFU-1		w/Duct Assy
1	Unit Assy			
2	Duct Assy	484209-0050	2	
3	Screw w/Washer	91370-06121	8	M6, ℓ 12

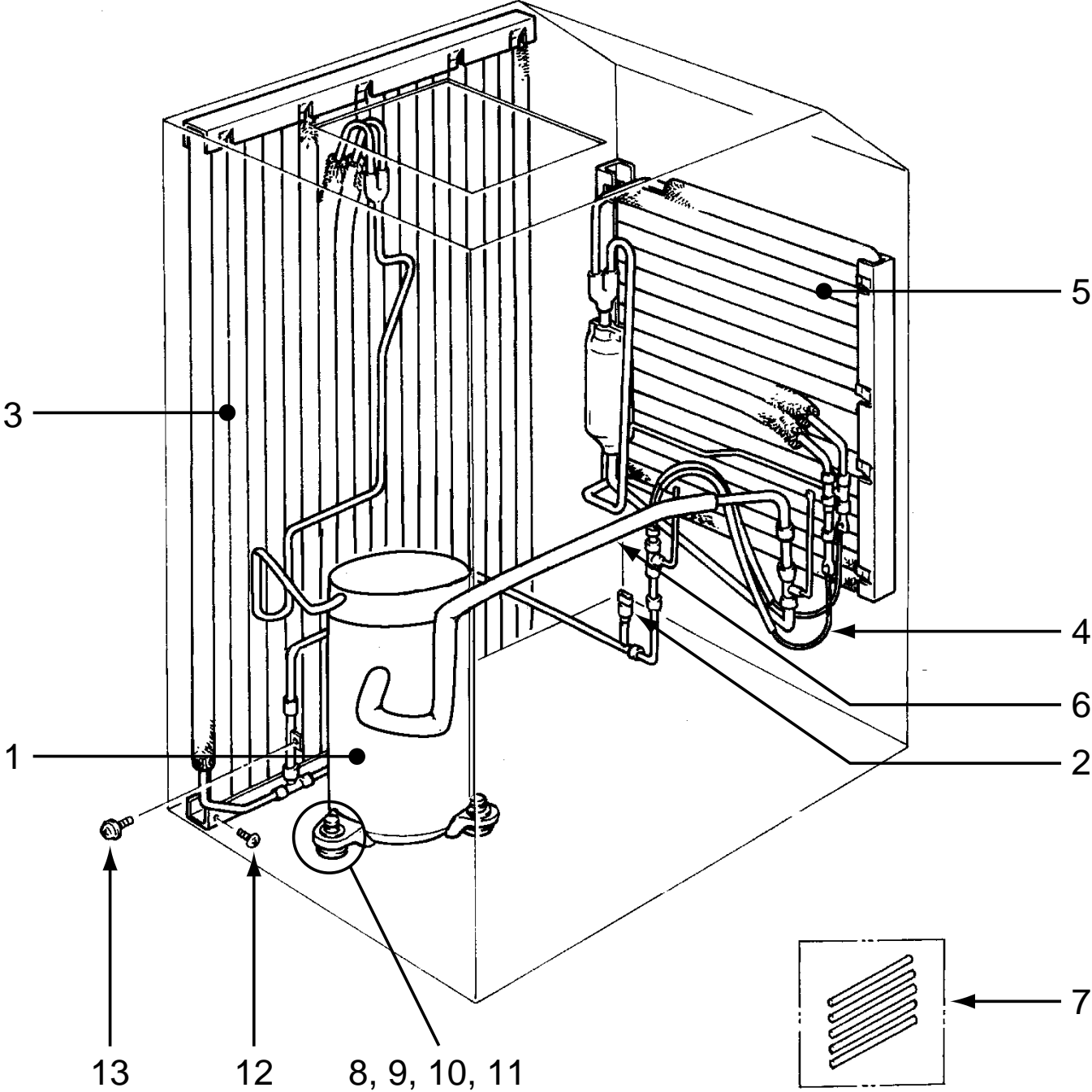
24HFU-1



24HFU-1

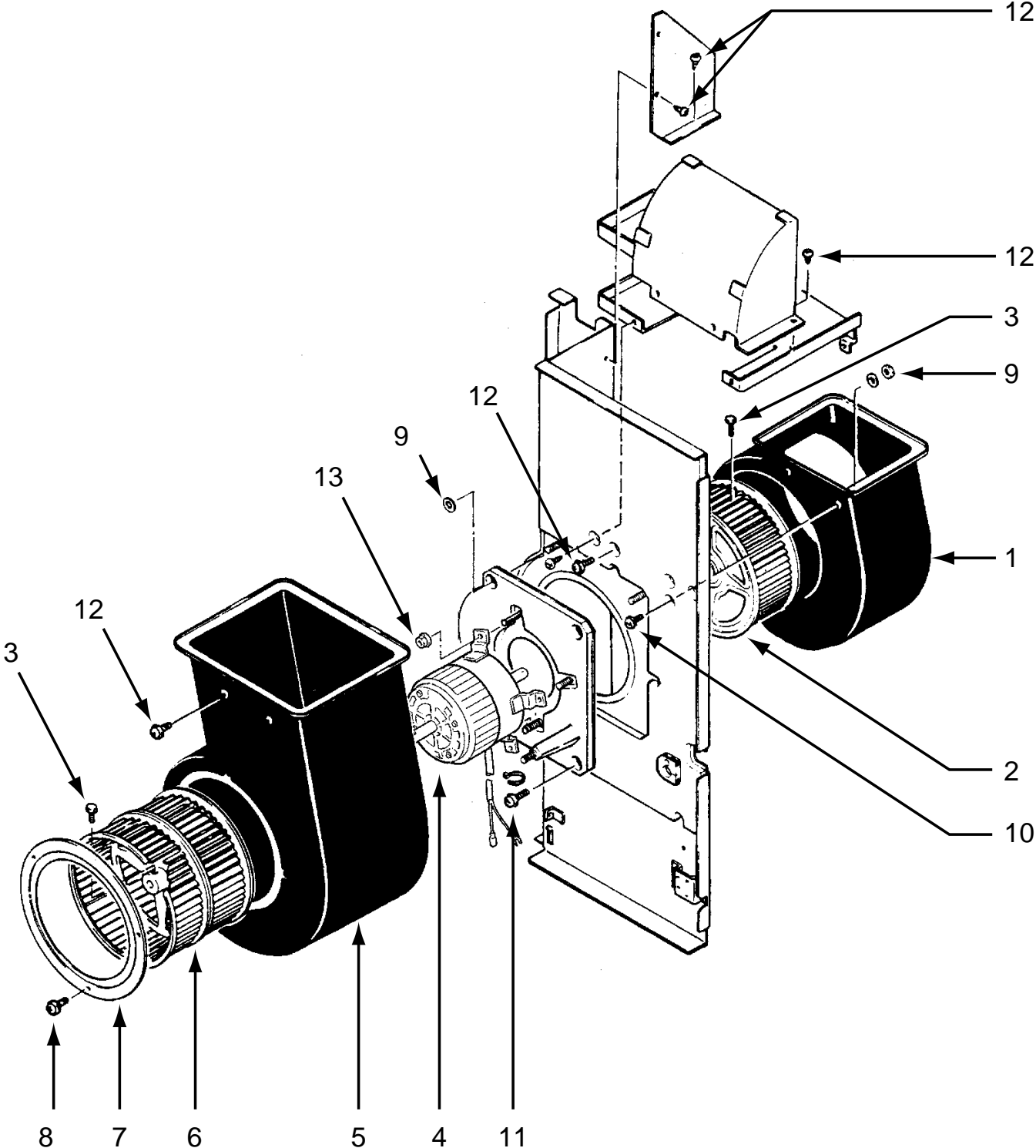
ILL. NO.	DESCRIPTION	PART NO.	QTY.	REMARKS
	• Unit Assy., 24HFU-1	24HFU-1		
1	Roller w/Brake	LA484702-0170	2	
2	Roller	LA484702-0180	2	
3	Frame Sub-Assy (Drain Tank)	LA484310-2770	1	
4	Bracket	LA484321-0510	1	
5	Socket	480837-0030	4	
6	Switch Assy, Drain Tank	LA484560-0850	1	
7	Spring, Tension Coil	949171-2090	2	
8	Panel, Upper	LA484410-4100	1	
9	Switch Control	484502-0070	1	
10	Knob, Control Switch	484923-0150	1	
11	Clip	484917-0131	1	
12	Lamp, Full Tank	LA484933-0190	1	
13	Panel, Right	LA484410-4090	1	
14	Panel, Left	LA484410-4140	1	
15	Element, Filter (Evaporator)	LA484401-1100	1	
16	Panel, Rear	LA484410-4110	1	
17	Frame Assy, Filter (Condenser)	LA484400-0300	2	
18	Conduit Assy	LA479748-0020	1	
19	Tank, Drain	484731-0021	1	
20	Panel, Front	LA484410-3920	1	
21	Element, Filter (Condenser)	LA484401-1110	2	
22	Panel, Service	LA484470-1860	1	
23	Drain Pan Assy	LA484430-0120	1	
24	Thermostat Assy, Freeze	LA484519-0100	1	
25	Frame Sub-Assy (Base)	LA484310-2620	1	
26	Thermostat, Room	LA484519-0110	1	
27	Knob, Room Thermostat	LA484923-0200	1	
28	Holder	484927-0160	1	
29	Power Cord Assy	LA484930-4830	1	
30	Screw w/Washer	91370-04101	21	D4, ℓ 10
31	Screw	91060-04161	4	D4, ℓ 16
32	Screw w/Washer	91310-03161	2	D3, ℓ 16
33	Screw, Tapping	949007-6700	48	D4, ℓ 10
34	Bolt w/Washer	91510-08141	16	M8, ℓ 14
35	Washer, Plate	90201-06400	1	
36	Screw, Crossrecess Pan	90051-06120	1	
37	Grommet	484926-0500	1	
38	Clip	LA484923-0220	2	
39	Wire Assy	484930-4481	1	

24HFU-1



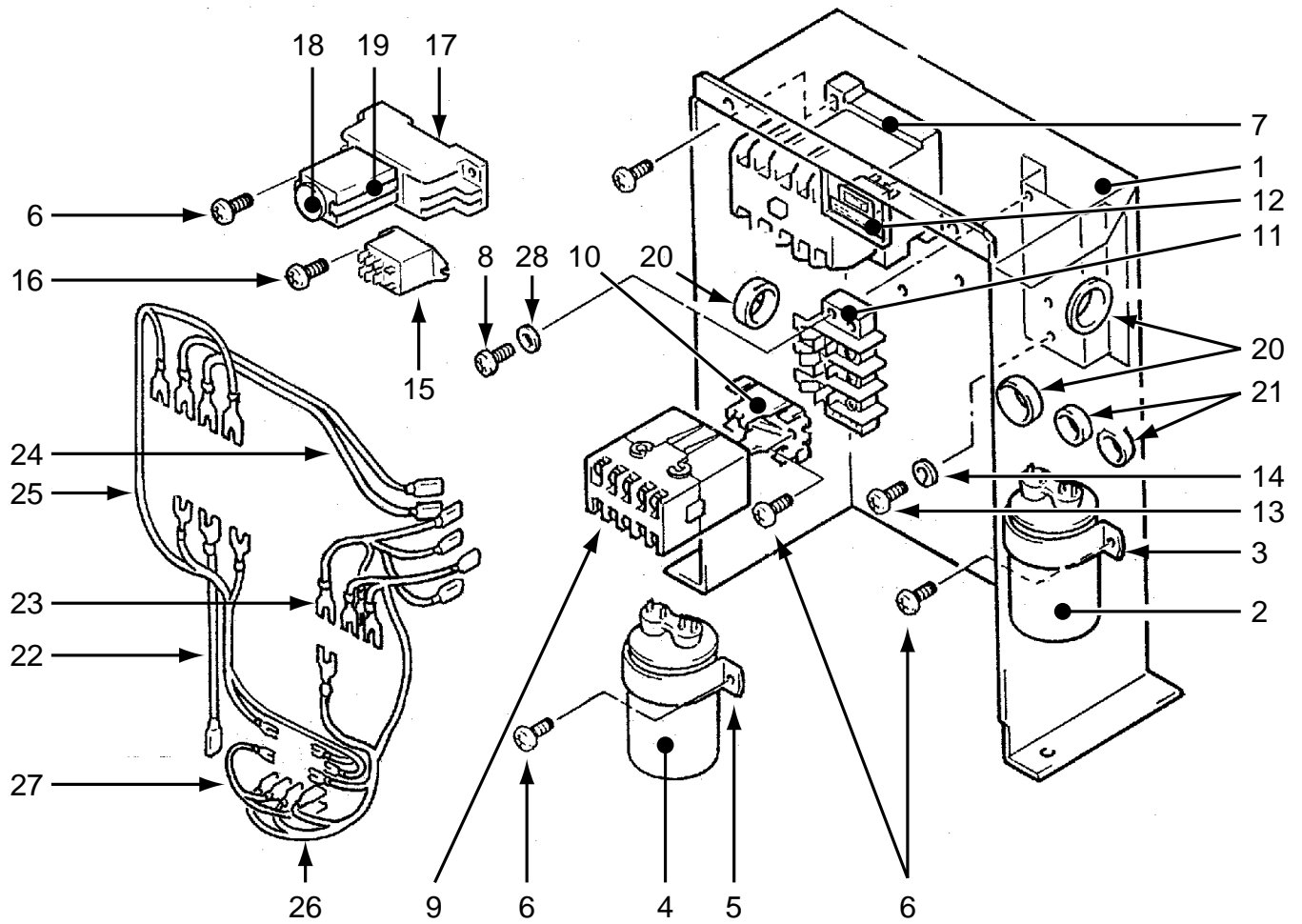
ILL. NO.	DESCRIPTION	PART NO.	QTY.	REMARKS
1	Compressor Assy	LA484650-1250	1	
2	High Pressure Switch Assy	LA484660-0300	1	
3	Core Assy, Condenser	LA484600-1260	1	
4	Pipe Assy, Capillary	LA484800-2760	1	
5	Core Assy, Evaporator	LA484600-1240	1	
6	Suction Pipe Assy	LA484800-2770	1	
7	Pipe Assy, Charging	484800-0440	1	5 per package
8	Cushion	LA484904-0220	4	
9	Collar, Steel	LA484915-0280	4	
10	Washer, Steel Plate	949011-5330	4	
11	Nut, Hexagon	90190-08651	4	
12	Screw, Tapping	949001-1570	4	
13	Screw, Crossrecess Pan	91051-04100	2	

24HFU-1



ILL. NO.	DESCRIPTION	PART NO.	QTY.	REMARKS
1	Casing, Evaporator Fan	484261-0010	1	
2	Fan, Evaporator	484221-0112	1	
3	Bolt, Hex	949040-6150	2	M10
4	Fan Motor	LA484211-1031	1	
5	Casing Assy, Condenser Fan	484260-0100	1	
6	Fan, Condenser	484221-0142	1	
7	Ring Sub-Assy	484280-0050	1	
8	Screw w/Washer	91370-04141	8	D4, ℓ14
9	Nut, Hex	92150-06061	2	
10	Screw w/Washer	91370-06161	4	D6, ℓ 16
11	Screw w/Washer	91370-06121	5	D6, ℓ 12
12	Screw w/Washer	949007-3600	2	D4, ℓ 10
13	Nut	949056-1430	4	

24HFU-1



ILL. NO.	DESCRIPTION	PART NO.	QTY.	REMARKS
1	Box Sub-Assy	LA484520-0630	1	
2	Capacitor, Fan	LA484507-0710	1	CF
3	Holder	LA484927-0880	1	
4	Capacitor, Compressor	LA484507-0720	1	CC
5	Holder	LA484927-0890	1	
6	Screw	949006-3250	6	
7	Relay, Compressor	484531-0220	1	(MCC)
8	Screw	949006-3280	4	
9	Relay, Auxilliary	LA484531-0430	1	(RX)
10	Holder, Auxilliary Relay	LA484927-0860	1	
11	Terminal Block	LA484503-0400	1	(TB)
12	Switch, Fan Mode	LA484502-0280	1	
13	Screw	91051-04100	3	
14	Washer, Plate	90201-04300	3	
15	Relay, Restart	LA484531-0440	2	RRX
16	Screw, Flange	92100-03081	1	
17	Terminal, Time Delay	LA484503-0410	1	
18	Relay, Time Delay	LA484531-0450	1	CTD
19	Holder, Time Delay Relay	LA484927-0870	1	
20	Grommet	LA484926-0490	3	
21	Grommet	LA484926-0500	2	
22	Wire Assy	LA484930-4500	1	
23	Wire Assy	LA484930-4511	1	
24	Wire Assy	LA484930-4521	1	
25	Wire Assy	LA484930-4531	1	
26	Wire Assy	LA484930-4541	1	
27	Wire Assy	LA484930-4551	1	
28	Washer, Plate	90200-04331	2	