

# Office Pro 24

Spot Coolers

<b>Cooling Capacity</b>	Btu/hr. @ 95° At 60% Relative Humidity	23,300
<b>Dimensions</b>	Width (Inches) Depth (Inches) Height (Inches) Weight (Pounds) Shipping Weight	21 27 49 216 253
<b>Electrical Characteristics</b>	Power Supply (Volts) Power Consumption (Kilowatts) Current Consumption (Amperes) Fuse Size (Amperes) NEMA Plug Configuration Min-max Voltage Power Cord Gauge Power Cord Length (Feet)	208/230 1phase 2.9 13.2 20 6-20 198-250 Volt 12AWG (3 Core) 6
<b>Compressor Characteristics</b>	Compressor Type Refrigerant Operating Conditions: Min-max °F	Hermetic Rotary 410A 65°-95°F, 50% RH
<b>Fan Characteristics</b>	<b>Evaporator:</b> Fan Type Air Flow (CFM) High/Low Max. External Static Pressure (Inches Of Water Gauge) <b>Condenser:</b> Fan Type Air Flow (CFM) High/Low Max. External Static Pressure (Inches Of Water Gauge)	Centrifugal 630/545 0.5  Centrifugal 870/760 0.16
<b>Safety Devices</b>	Compressor Overload Relay Fan Motor Protection Anti-freeze Thermostat Automatic Tank Shut-off Condensate Tank Capacity (Gallons) High-pressure Switch Compressor Short-cycle Protection Fan Mode Switch Automatic Restart Thermostat Control Panel Thermostat Control	Yes Yes Yes Yes 5 Yes Yes Yes Yes Yes Programmable Electronic
<b>Miscellaneous Features</b>	Operating Cost Humidity Removed @ 60% RH Accommodates Condensate Pump Sound Level (Db) High/Low Max Evaporator Ducting Length*(Ft.) Max Condenser Ducting Length*(Ft.)	\$0.194 1.26 Yes 63/61 50 45

*\*subtract 10 Ft. For Every 90° Bend*

**800.367.8675 • [www.spot-coolers.com](http://www.spot-coolers.com)**

Copyright © 2008 Spot Coolers, Inc. All rights reserved.

# Office Pro 24

**Power Supply** 208/230 volts 60 hertz 1 phase 13.2 amperes

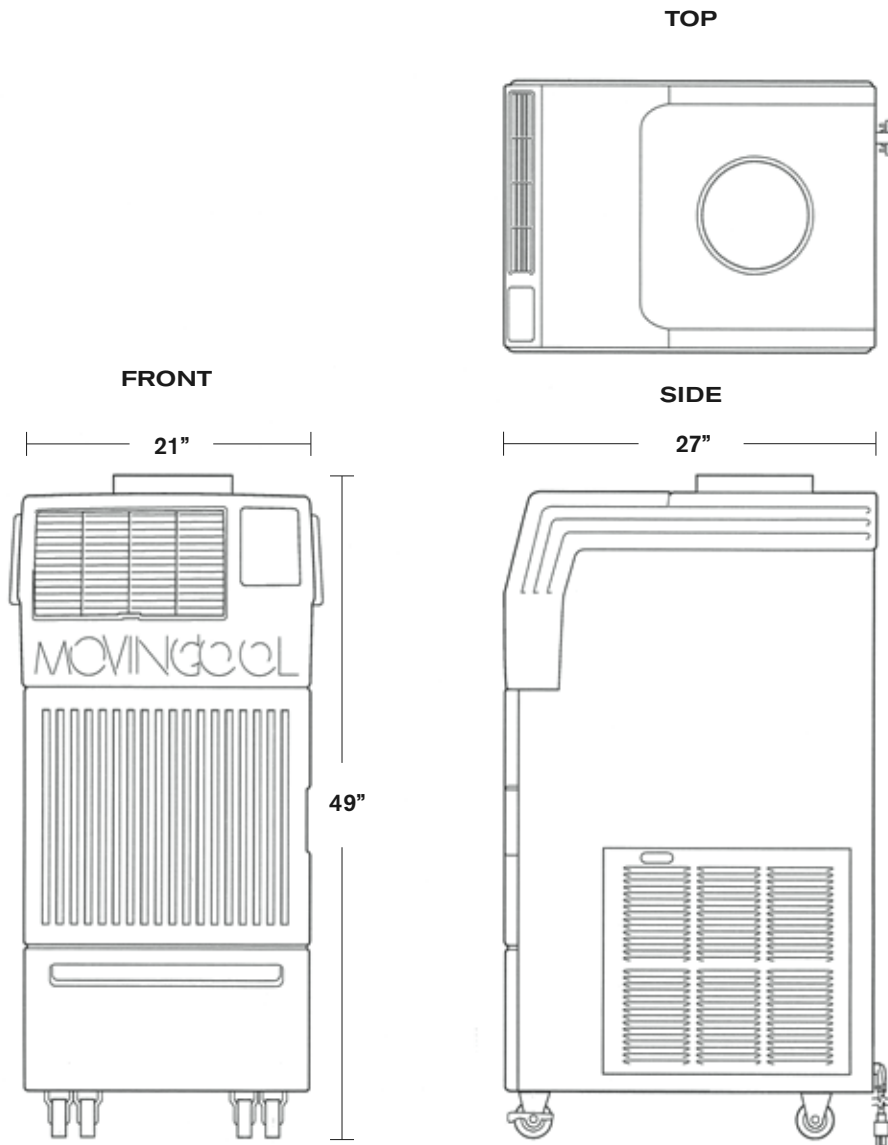
**Width** 21 inches

**Depth** 27 inches

**Height** 49 inches

**Weight** (net/shipping) lbs 216/253

All models are backed by a 12-month warranty with 36 months for the compressor.  
All coils are treated with an acrylic resin coating for extended life and corrosion resistance.



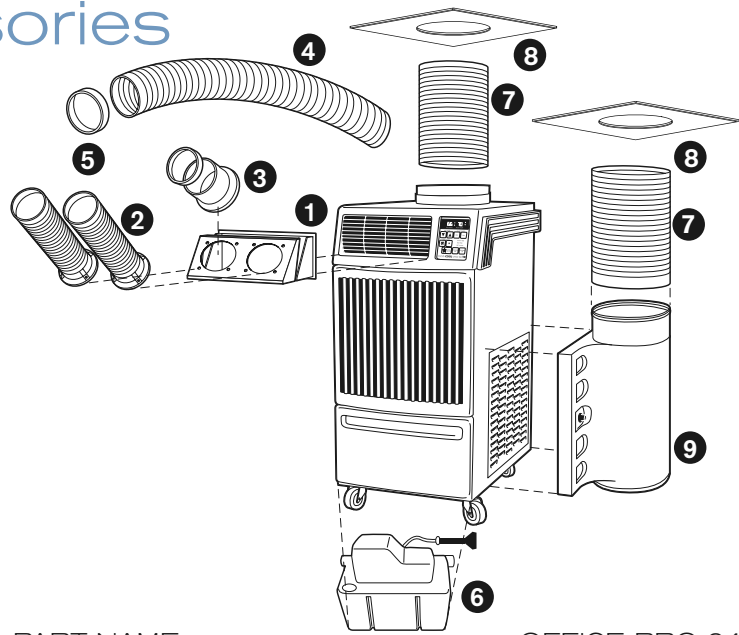
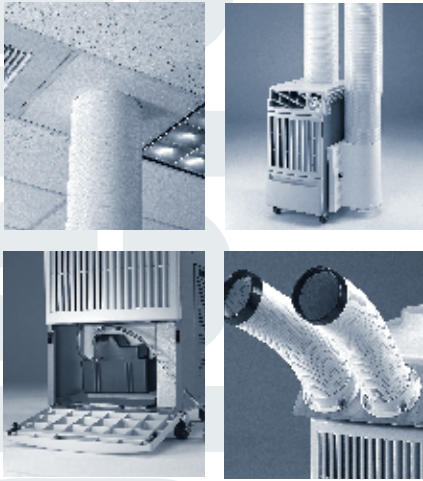
**800.367.8675 • [www.spot-coolers.com](http://www.spot-coolers.com)**

Copyright © 2008 Spot Coolers, Inc. All rights reserved.

Spot Coolers

# Office Pro 24

## Accessories



### AUTO CONDENSATE REMOVAL

Why bother with emptying the drain tank when you can install a condensate pump to remove the water automatically! This pump has an 18-foot lift capacity to reach virtually any remote drain.

#### PART NAME

**Condensate Pump Kit**  
220V pump kit includes 3/8" diameter x 20' length of hose and installation hardware.

#### OFFICE PRO 24

**OP24-6**

### CONDENSER AIR REMOVAL

Removing exhaust is easy. Simply replace the existing ceiling tile with ceiling tile accessory and 12" flexible hose. That's it!

#### Warm Air Duct

12" diameter white, polypropylene plastic duct that extends 7' in length.

**OP24-7**

#### Ceiling Tile

24" x 24" white tile with 12" hole for warm air self-supported duct.

**OP24-8**

### MAKE-UP AIR

When balanced air flow is required, attach the air plenum with a duct from the side of the unit to an outside air source. The air to the condenser is pulled from outside the room to eliminate problems associated with negative air pressure.

#### Air Duct

12" diameter white, polypropylene plastic duct that extends 7' in length.

**OP24-7**

#### Ceiling Tile

24" x 24" white tile with 12" hole for warm air duct.

**OP24-8**

#### Condenser Air Plenum

White plastic plenum for return air to condenser. Hinged for filter cleaning.

**OP24-9**

### SPOT or REMOTE COOLING

To use the Office Pro to spot cool specific areas, use the nozzle adapter in place of the standard louvers. Attach cold air ducts to the adapter to cool remote hot spots. Trim rings give a finished look and keep the ducts from unraveling.

#### Nozzle Adapter Kit

Two-piece metal frame converts air-flow from louvers to nozzles or cold air ducts. Includes mounting screws.

**OP24-1**

#### Nozzle Kit

6" diameter white plastic duct that extends up to 3.5' in length. Includes flange, mounting screws and trim ring.

**OP24-2**

#### Cold Air Flange Kit

6" diameter gray metal flange with wire clamp and mounting screws. Use with cold air ducts.

**OP24-3**

#### Cold Air Self-Supported Duct

6" adjustable diameter white polypropylene duct that extends from 6.5' to 10' in length.

**OP24-4**

#### Trim Ring

6" diameter black end-cap for cold air self-supported duct.

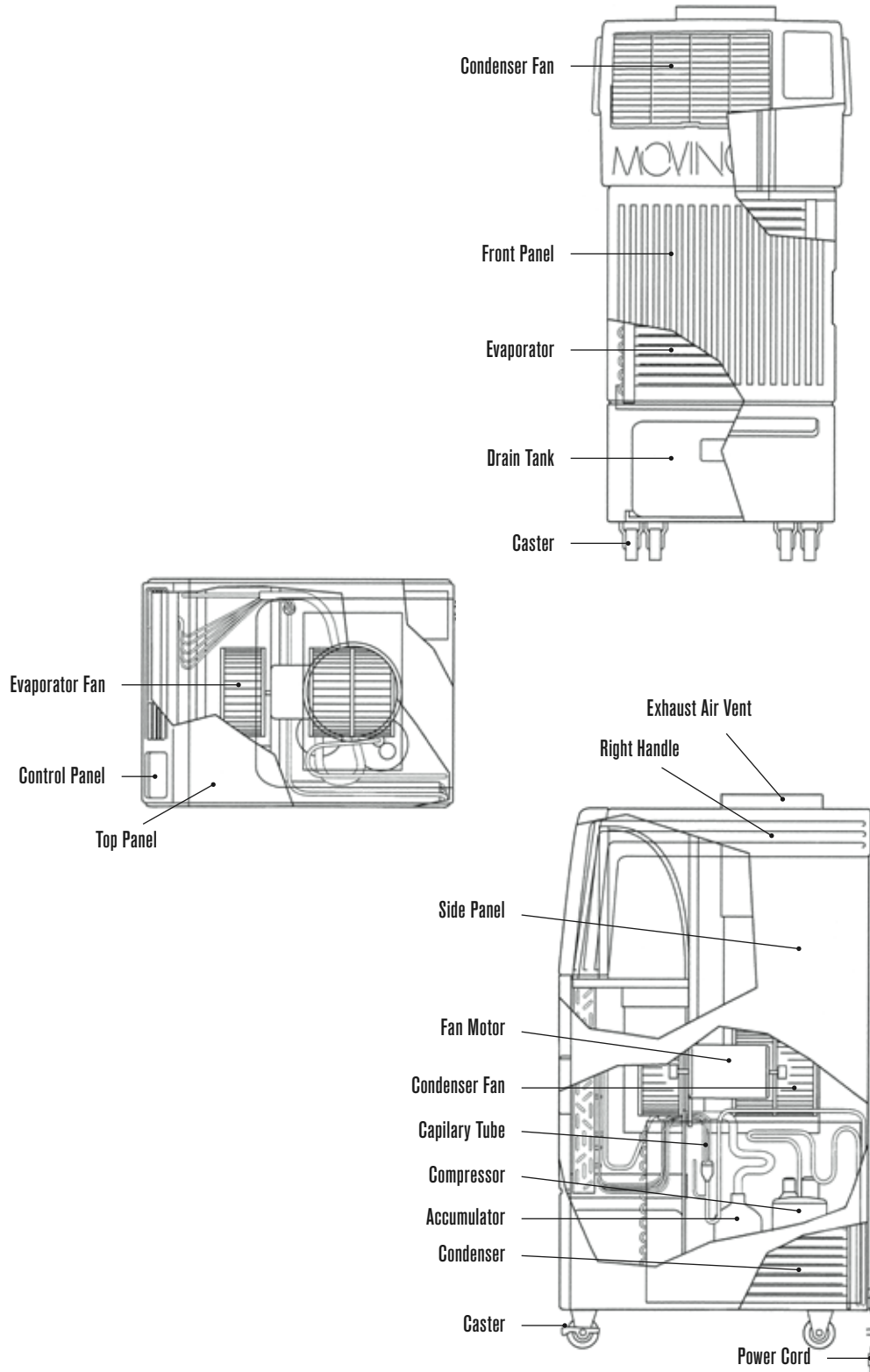
**OP24-5**

# Office Pro 24

## Construction Diagram

All models are backed by a 12-month warranty with 36 months for the compressor.

All coils are treated with an acrylic resin coating for extended life and corrosion resistance.



SPOT COOLERS