

MOVINCOOL®

CLASSIC 40 (30HU)

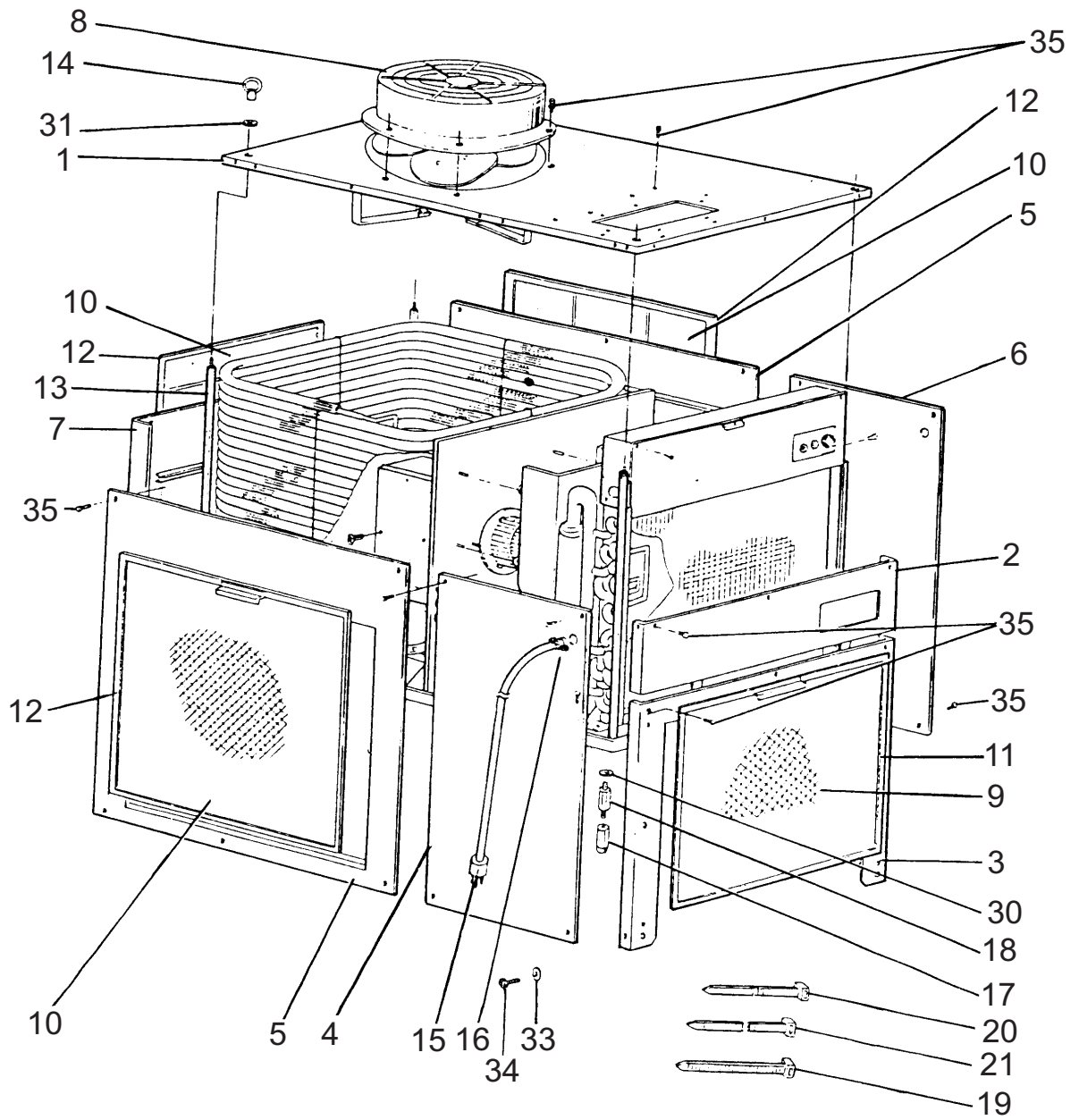
| UNIT PART No. | MANUFACTURING DATE | SEE PAGE |
|---------------|---|------------------|
| 484000-2550 | Until June 2005 (0605) | 1 ~ 8 11 ~ 12 |
| 484000-2551 | Between July 2005 (0705) and May 2006 (0506), except March 2006 (0306) | 1 ~ 6 9 ~ 12 |
| 484000-3630 | <ul style="list-style-type: none">• On March 2006 (0306)• After June 2006 (0606) | 13 ~ 22 |

© 2007 DENSO CORPORATION

All Rights Reserved. This book may not be reproduced or copied, in whole or in part, without the written permission of the publisher.

MOVIN COOL CLASSIC 40 (30HU)

Manufacturing date: Until April 2006 (0406),
except March 2006 (0306)



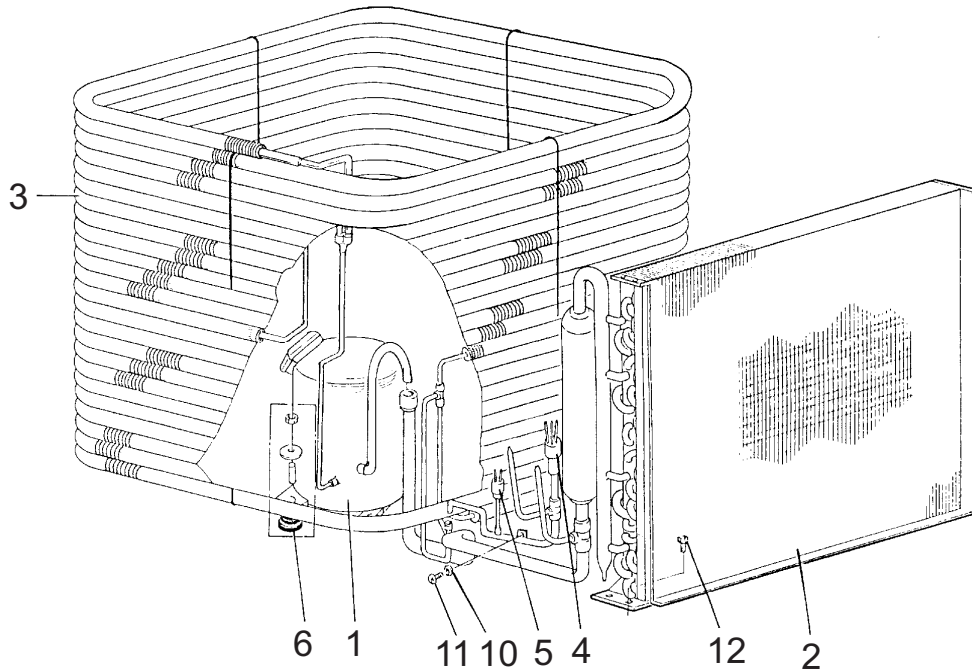
UNIT ASSY CLASSIC 40 (30HU)

Manufacturing date: Until April 2006 (0406),
except March 2006 (0306)

| ILLUSTRATION NUMBER | DENSO NUMBER | MANUFACTURER NUMBER | DESCRIPTION | QTY | MODIFICATION DATE | REMARKS |
|---------------------|--------------|---------------------|------------------------------|-----|-------------------|---------------------|
| | | | UNIT ASSY, CLASSIC 40 (30HU) | | | |
| 1 | 484300-0490 | | FRAME ASSY | 1 | | UPPER |
| 2 | 484410-1110 | | PANEL ASSY | 1 | | FRONT |
| 3 | 484410-1102 | | PANEL ASSY | 1 | | FOR EVAP. |
| 4 | 484410-1121 | | PANEL ASSY | 1 | | INCLUDE No.16, LEFT |
| 5 | 484410-0881 | | PANEL ASSY | 2 | | SIDE |
| 6 | 484410-1130 | | PANEL ASSY | 1 | | RIGHT |
| 7 | 484410-0891 | | PANEL ASSY | 1 | | REAR |
| 8 | 484370-0020 | | DUCT ASSY, EXHAUST | 1 | | |
| 9 | 484401-0681 | | FILTER | 1 | | FOR EVAP. |
| 10 | 484401-0871 | | FILTER | 3 | | FOR COND. |
| 11 | 484300-0400 | | FRAME ASSY | 1 | | FOR EVAP. |
| 12 | 484300-0380 | | FRAME ASSY | 3 | | FOR COND. |
| 13 | 484911-0300 | | BOLT, SPACER | 4 | | M16,HEX. SIZE 19 |
| 14 | 481108-0011 | | EYENUT | 4 | | M16 |
| 15 | 484930-1270 | | WIRE ASSY | 1 | | POWER CORD |
| 16 | 479748-0020 | | CONNECTOR | 1 | | FOR POWER CORD |
| 17 | 481202-0040 | | NUT, HOLDER | 4 | | M16,HEX. SIZE 27 |
| 18 | 484911-0160 | | BOLT, SPACER | 4 | | M16,HEX. SIZE 27 |
| 19 | 949821-0030 | | BAND | 10 | | L100, WIDTH 2.5 |
| 20 | 482902-0280 | | STRAP | 11 | | L142, WIDTH 3.5 |
| 21 | 949821-0050 | | BAND | 6 | | L203, WIDTH 4 |
| 30 | 90200-20001 | | WASHER, PLATE | 4 | | T3.2 |
| 31 | 90200-17001 | | WASHER, PLATE | 4 | | T3 |
| 33 | 90201-06400 | | WASHER, PLATE | 1 | | FOR GROUND |
| 34 | 90051-06120 | | SCREW, CROSSRECESS PAN | 1 | | M6,L12, FOR GROUND |
| 35 | 91570-06147 | | BOLT, WWASHER | 59 | | M6,L14 |

UNIT ASSY CLASSIC 40 (30HU)

Manufacturing date: Until April 2006 (0406),
except March 2006 (0306)



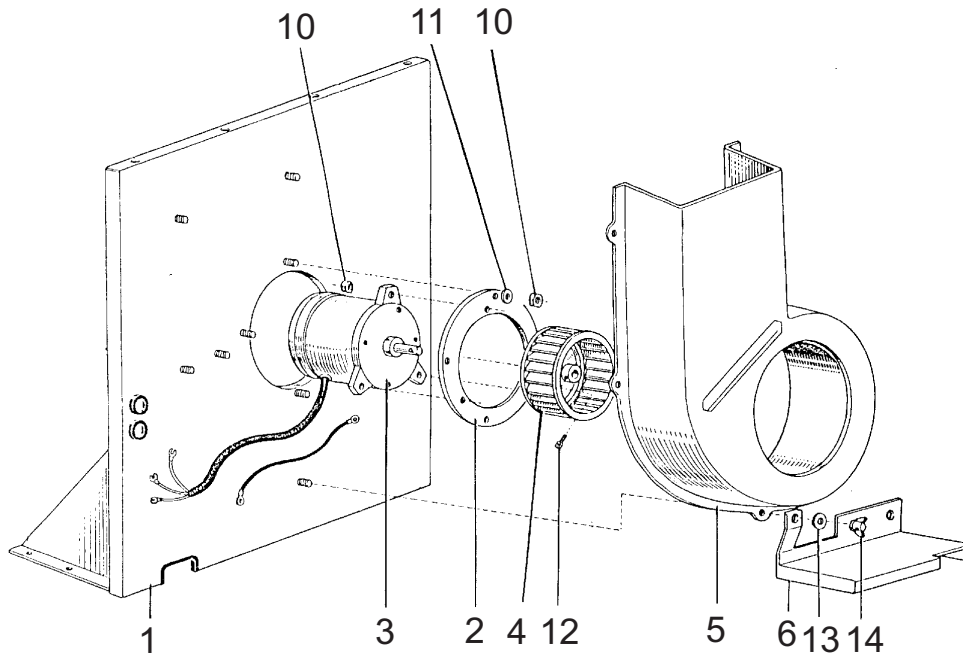
IH0030

| ILLUSTRATION NUMBER | DENSO NUMBER | MANUFACTURER NUMBER | DESCRIPTION | QTY | MODIFICATION DATE | REMARKS |
|---------------------|--------------|---------------------|------------------------|-----|-------------------|----------------------|
| 1 | 484650-0680 | | COMPRESSOR ASSY | 1 | | TYPE:TH306JA -U |
| 2 | 484600-0670 | | CORE ASSY | 1 | | EVAPORATOR |
| 3 | 484600-0660 | | CORE ASSY | 1 | | CONDENSER |
| 4 | 484640-0140 | | TUBE ASSY, CAPILLARY | 1 | | |
| 5 | 484660-0160 | | SWITCH ASSY, PRESSURE | 1 | | HIGH PRESSURE SWITCH |
| 6 | 481799-0140 | | ACCESSORY KIT, SERVICE | 1 | | COMP. MOUNT PARTS |
| 7 | 484800-0440 | | PIPE ASSY | 1 | | *1 |
| 10 | 90201-04300 | | WASHER, PLATE | 1 | | T0.8 |
| 11 | 91051-04100 | | SCREW, CROSSRECESS PAN | 1 | | M4,L10 |
| 12 | 480919-0100 | | BOLT | 4 | | M6,L12 |

*1 This is supplied with 5 pieces per one package.

BLOWER ASSY, EVAPORATOR CLASSIC 40 (30HU)

Manufacturing date: Until April 2006 (0406),
except March 2006 (0306)

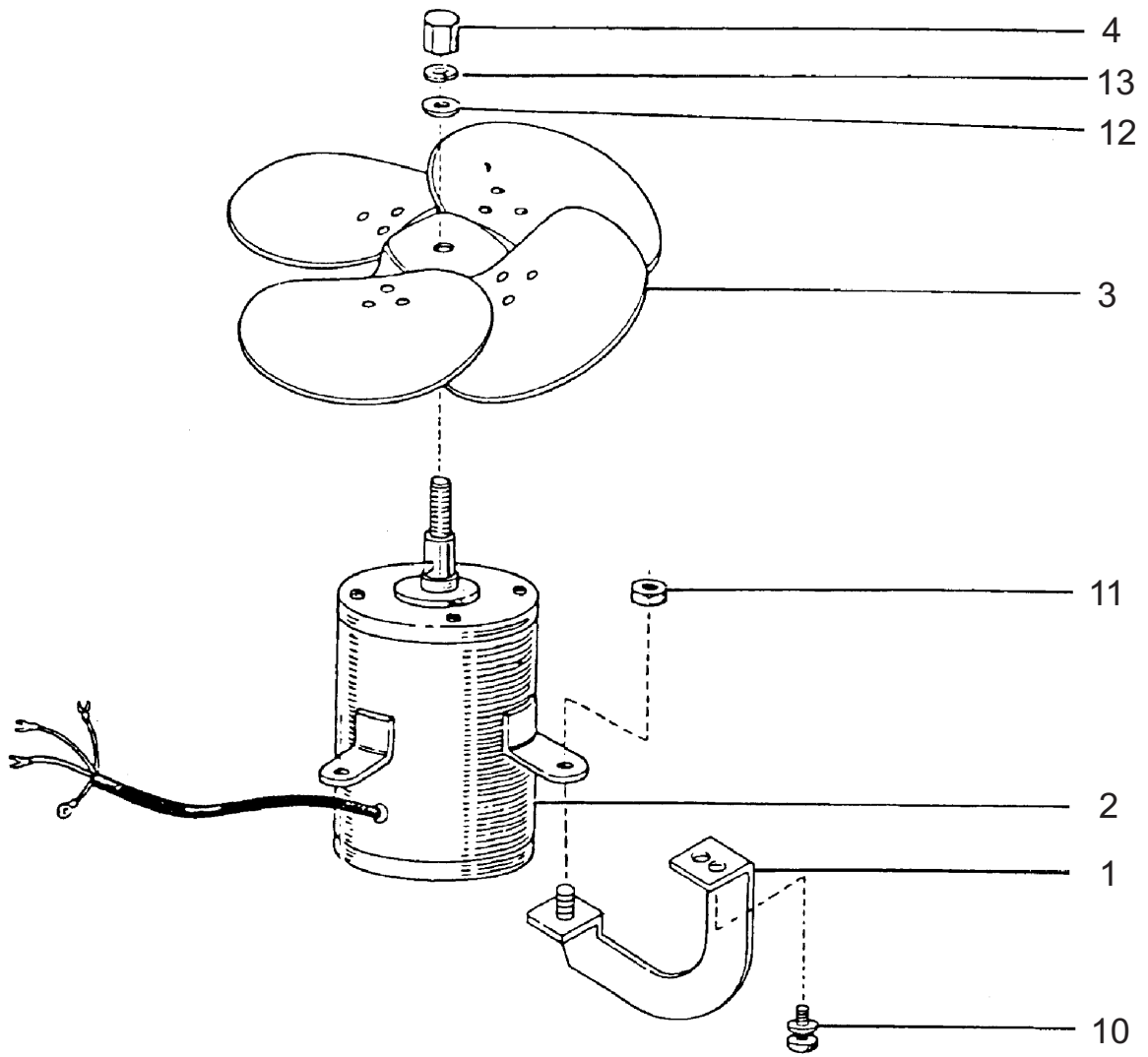


IH0031

| ILLUSTRATION NUMBER | DENSO NUMBER | MANUFACTURER NUMBER | DESCRIPTION | QTY | MODIFICATION DATE | REMARKS |
|---------------------|--------------|---------------------|-----------------------|-----|-------------------|---------|
| 1 | 484310-0941 | | FRAME SUB-ASSY | 1 | | |
| 2 | 484280-0020 | | RING SUB-ASSY | 1 | | |
| 3 | 484211-0331 | | MOTOR | 1 | | |
| 4 | 484221-0072 | | FAN | 1 | | |
| 5 | 484382-0051 | | GUARD, FAN | 1 | | |
| 6 | 484391-0530 | | COVER | 1 | | |
| 10 | 92150-08081 | | NUT, FLANGE | 7 | | M8 |
| 11 | 949016-0320 | | WASHER, TOOTHED | 4 | | ID8.4 |
| 12 | 949041-0940 | | BOLT, SLOTTED HEXAGON | 1 | | |
| 13 | 90200-05221 | | WASHER, PLATE | 5 | | T1 |
| 14 | 90130-05001 | | NUT, WING | 5 | | M5 |

BLOWER ASSY, CONDENSER CLASSIC 40 (30HU)

Manufacturing date: Until April 2006 (0406),
except March 2006 (0306)



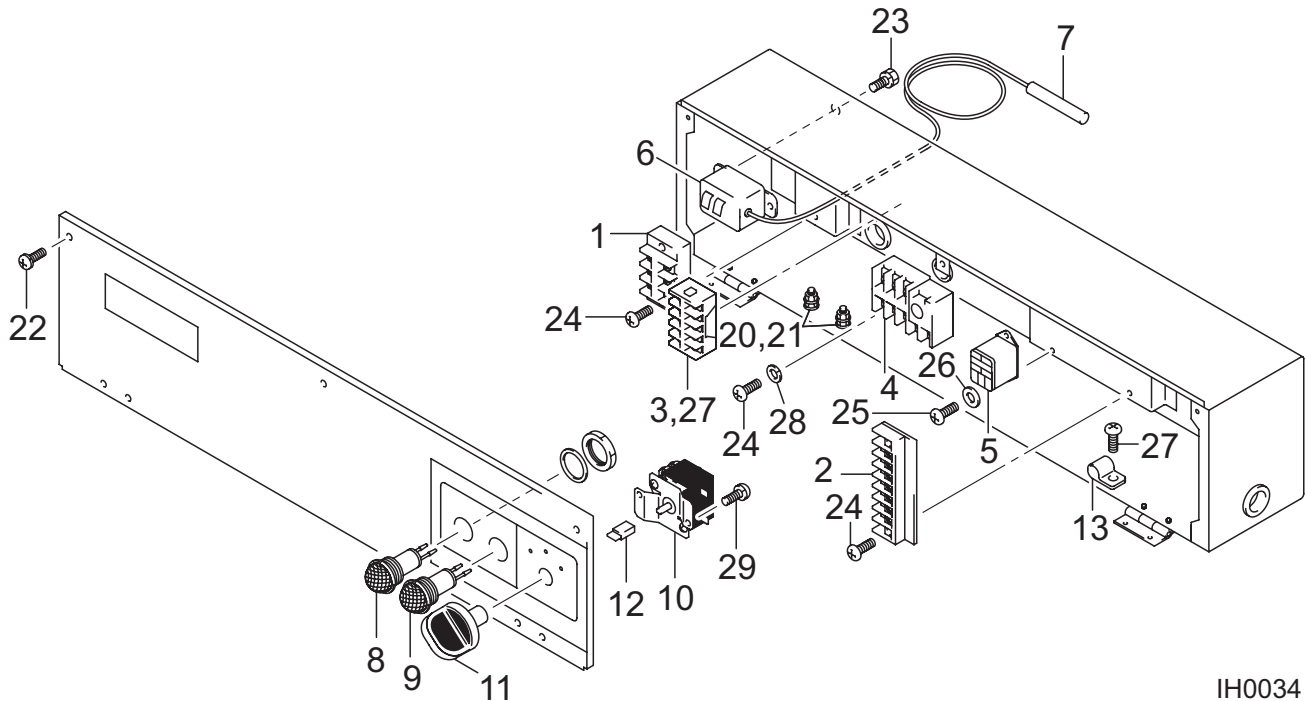
BLOWER ASSY, CONDENSER CLASSIC 40 (30HU)

Manufacturing date: Until April 2006 (0406),
except March 2006 (0306)

| ILLUSTRATION NUMBER | DENSO NUMBER | MANUFACTURER NUMBER | DESCRIPTION | QTY | MODIFICATION DATE | REMARKS |
|---------------------|--------------|---------------------|----------------|-----|-------------------|----------------|
| 1 | 484340-1020 | | BRACKET, MOTOR | 4 | | |
| 2 | 484211-0341 | | MOTOR | 1 | | |
| 3 | 484221-0060 | | FAN | 1 | | |
| 4 | 481216-0020 | | NUT, BAG | 1 | | FOR LEFT SCREW |
| 10 | 91570-06147 | | BOLT, W/WASHER | 8 | | M6,L14 |
| 11 | 92150-08081 | | NUT, FLANGE | 4 | | M8 |
| 12 | 949192-4540 | | COLLAR, STEEL | 1 | | |
| 13 | 949017-1270 | | WASHER, WAVE | 1 | | T1.2 |

CONTROLLER ASSY CLASSIC 40 (30HU)

Manufacturing date: Until June 2005 (0605)



IH0034

| ILLUSTRATION NUMBER | DENSO NUMBER | MANUFACTURER NUMBER | DESCRIPTION | QTY | MODIFICATION DATE | REMARKS |
|---------------------|--------------|---------------------|-----------------------------|-----|-------------------|---------------------|
| 1 | 484503-0093 | | CONTROLLER ASSY | 1 | | |
| 2 | 484503-0051 | | TERMINAL | 1 | | |
| 3 | 484531-0160 | | RELAY | 1 | | FOR EVAP. FAN MOTOR |
| 4 | 484505-0190 | | THERMAL (OVERCURRENT RELAY) | 1 | | FOR EVAP. FAN MOTOR |
| 5 | 484531-0170 | | RELAY | 1 | | |
| 6 | 484504-0020 | | THERMOSTAT | 1 | | FOR ANTIFREEZING |
| 7 | 484922-0080 | | CAP | 1 | | |
| 8 | 484933-0110 | | LAMP | 1 | | COLOR: CLEAR |
| 9 | 484933-0120 | | LAMP | 1 | | COLOR: RED |
| 10 | 484560-1760 | | SWITCH ASSY | 1 | | |
| 11 | 484923-0150 | | KNOB | 1 | | |
| 12 | 484917-0131 | | CLIP | 1 | | |
| 13 | 480841-0140 | | CLIP | 1 | | D12 |
| 20 | 91161-04320 | | NUT, HEXAGON | 4 | | M4 |
| 21 | 90201-04300 | | WASHER, PLATE | 4 | | T0.8 |
| 22 | 91370-04107 | | SCREW, W/WASHER | 3 | | M4,L10 |
| 23 | 949047-0220 | | BOLT, W/WASHER | 2 | | M4,L8 |

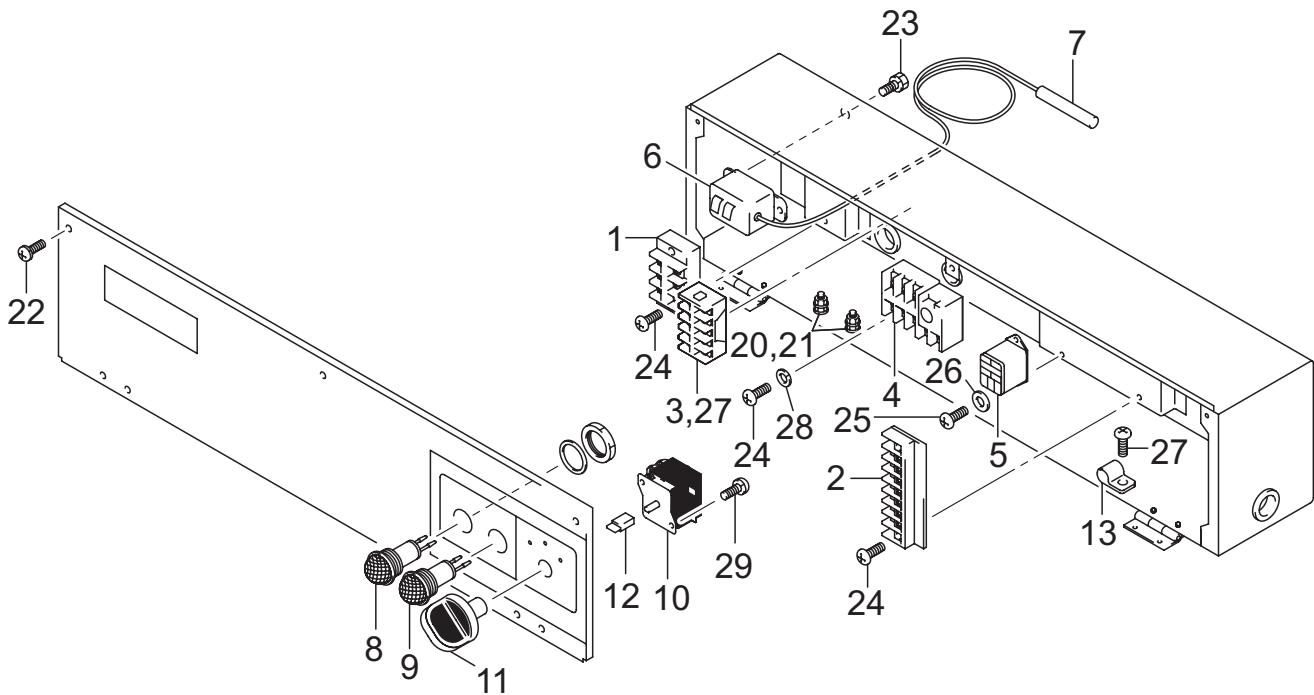
CONTROLLER ASSY CLASSIC 40 (30HU)

Manufacturing date: Until June 2005 (0605)

| ILLUSTRATION NUMBER | DENSO NUMBER | MANUFACTURER NUMBER | DESCRIPTION | QTY | MODIFICATION DATE | REMARKS |
|---------------------|--------------|---------------------|----------------|-----|-------------------|---------|
| 24 | 949006-3280 | | SCREW | 6 | | M4,L18 |
| 25 | 949006-4440 | | SCREW | 2 | | M3,L8 |
| 26 | 90200-03081 | | WASHER, PLATE | 2 | | T0.5 |
| 27 | 949006-3250 | | SCREW | 3 | | M4,L10 |
| 28 | 90200-04001 | | WASHER, PLATE | 4 | | T0.5 |
| 29 | 91370-04081 | | SCREW, WWASHER | 2 | | M4,L8 |

CONTROLLER ASSY CLASSIC 40 (30HU)

Manufacturing date: Between July 2005 (0705) and May 2006 (0506), except March 2006 (0306)

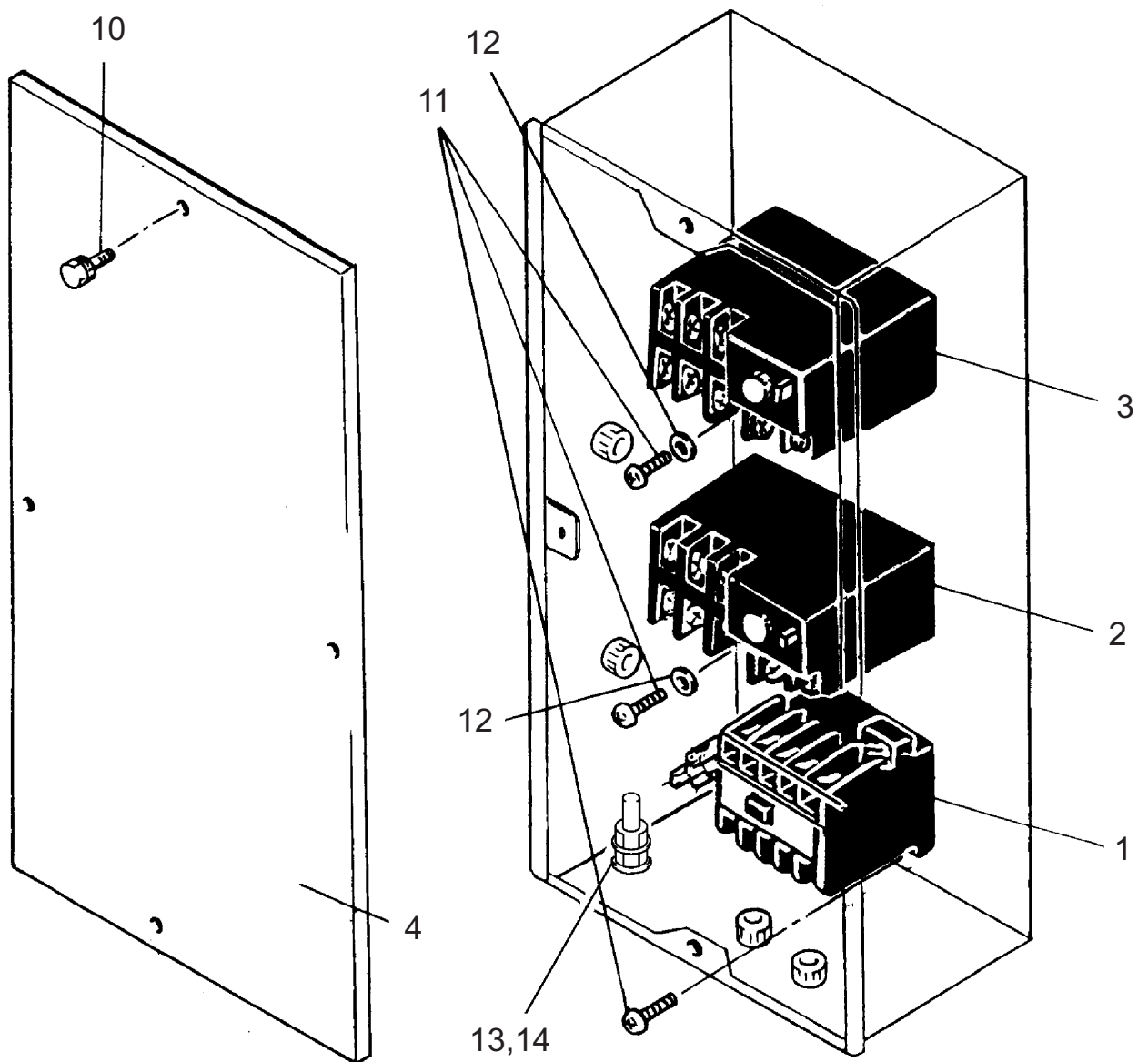


IH0035

| ILLUSTRATION NUMBER | DENSO NUMBER | MANUFACTURER NUMBER | DESCRIPTION | QTY | MODIFICATION DATE | REMARKS |
|---------------------|--------------|---------------------|-----------------------------|-----|-------------------|---------------------|
| 1 | 484503-0093 | | CONTROLLER ASSY | 1 | | |
| 2 | 484503-0051 | | TERMINAL | 1 | | |
| 3 | 484531-0160 | | RELAY | 1 | | FOR EVAP. FAN MOTOR |
| 4 | 484505-0190 | | THERMAL (OVERCURRENT RELAY) | 1 | | FOR EVAP. FAN MOTOR |
| 5 | 484531-0170 | | RELAY | 1 | | |
| 6 | 484504-0020 | | THERMOSTAT | 1 | | FOR ANTIFREEZING |
| 7 | 484922-0080 | | CAP | 1 | | |
| 8 | 484933-0110 | | LAMP | 1 | | COLOR: CLEAR |
| 9 | 484933-0120 | | LAMP | 1 | | COLOR: RED |
| 10 | 484502-0260 | | SWITCH | 1 | | |
| 11 | 484923-0150 | | KNOB | 1 | | |
| 12 | 484917-0131 | | CLIP | 1 | | |
| 13 | 480841-0140 | | CLIP | 1 | | D12 |
| 20 | 91161-04320 | | NUT, HEXAGON | 4 | | M4 |
| 21 | 90201-04300 | | WASHER, PLATE | 4 | | T0.8 |
| 22 | 91370-04107 | | SCREW, W/WASHER | 3 | | M4,L10 |
| 23 | 949047-0220 | | BOLT, W/WASHER | 2 | | M4,L8 |

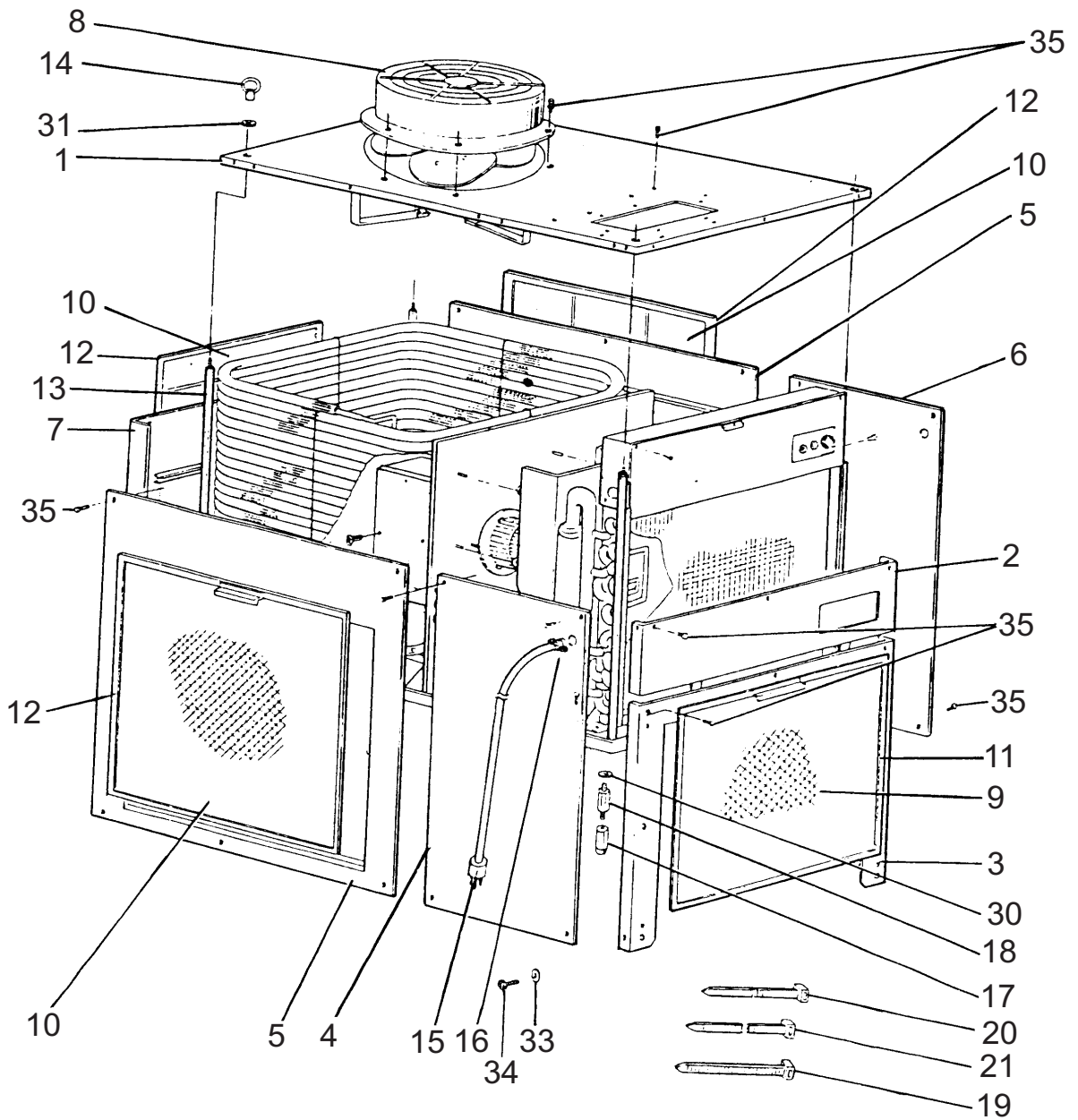
CONTROLLER ASSY CLASSIC 40 (30HU) Manufacturing date: Between July 2005 (0705) and May 2006 (0506), except March 2006 (0306)

| ILLUSTRATION NUMBER | DENSO NUMBER | MANUFACTURER NUMBER | DESCRIPTION | QTY | MODIFICATION DATE | REMARKS |
|---------------------|--------------|---------------------|----------------|-----|-------------------|---------|
| 24 | 949006-3280 | | SCREW | 6 | | M4,L18 |
| 25 | 949006-4440 | | SCREW | 2 | | M3,L8 |
| 26 | 90200-03081 | | WASHER, PLATE | 2 | | T0.5 |
| 27 | 949006-3250 | | SCREW | 3 | | M4,L10 |
| 28 | 90200-04001 | | WASHER, PLATE | 4 | | T0.5 |
| 29 | 91370-04081 | | SCREW, WWASHER | 2 | | M4,L8 |



SUB CONTROLLER ASSY CLASSIC 40 (30HU) Manufacturing date: Until April 2006 (0406),
except March 2006 (0306)

| ILLUSTRATION NUMBER | DENSO NUMBER | MANUFACTURER NUMBER | DESCRIPTION | QTY | MODIFICATION DATE | REMARKS |
|---------------------|--------------|---------------------|-----------------------------|-----|-------------------|---------------------|
| | | | CONTROLLER ASSY | | | |
| 1 | 484531-0180 | | RELAY | 1 | | FOR COMP. |
| 2 | 484505-0200 | | THERMAL (OVERCURRENT RELAY) | 1 | | FOR COMP. |
| 3 | 484505-0210 | | THERMAL (OVERCURRENT RELAY) | 1 | | FOR COND. FAN MOTOR |
| 4 | 484391-0740 | | COVER | 1 | | |
| 10 | 91370-04107 | | SCREW, W/WASHER | 4 | | M4,L10 |
| 11 | 949006-3280 | | SCREW | 6 | | M4,L18 |
| 12 | 90200-04001 | | WASHER, PLATE | 4 | | T0.5 |
| 13 | 91161-04320 | | NUT, HEXAGON | 3 | | M4 |
| 14 | 90201-04300 | | WASHER, PLATE | 3 | | T0.8 |



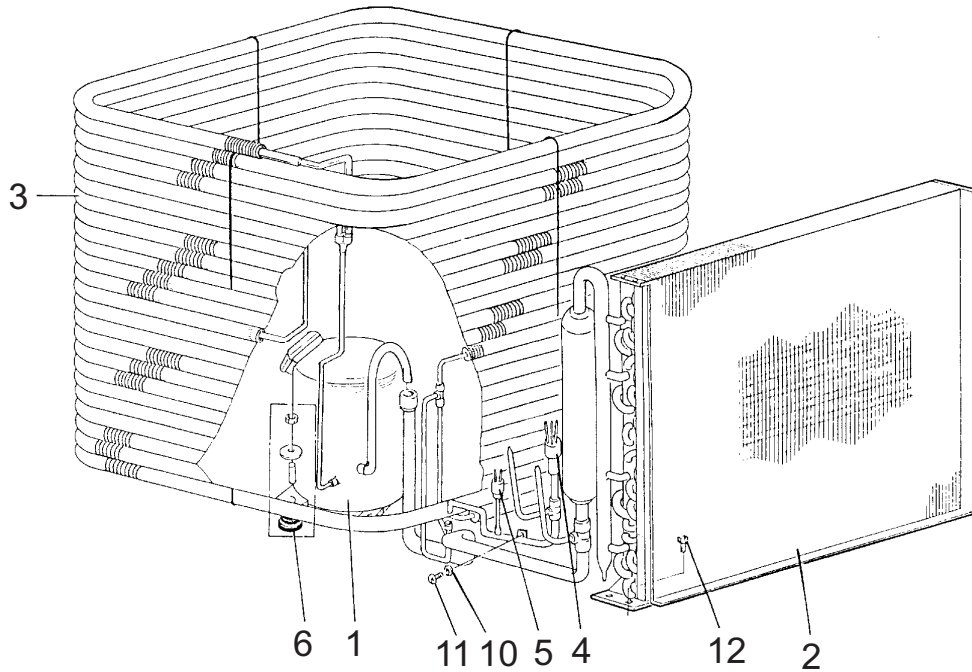
UNIT ASSY CLASSIC 40 (30HU)

Manufacturing date: On March 2006 (0306)
After June 2006 (0606)

| ILLUSTRATION NUMBER | DENSO NUMBER | MANUFACTURER NUMBER | DESCRIPTION | QTY | MODIFICATION DATE | REMARKS |
|---------------------|--------------|---------------------|------------------------------|-----|-------------------|---------------------|
| | | | UNIT ASSY, CLASSIC 40 (30HU) | | | |
| 1 | 484300-0490 | | FRAME ASSY | 1 | | UPPER |
| 2 | 484410-1110 | | PANEL ASSY | 1 | | FRONT |
| 3 | 484410-1102 | | PANEL ASSY | 1 | | FOR EVAP. |
| 4 | 484410-1121 | | PANEL ASSY | 1 | | INCLUDE No.16, LEFT |
| 5 | 484410-0881 | | PANEL ASSY | 2 | | SIDE |
| 6 | 484410-1130 | | PANEL ASSY | 1 | | RIGHT |
| 7 | 484410-0891 | | PANEL ASSY | 1 | | REAR |
| 8 | 484370-0020 | | DUCT ASSY, EXHAUST | 1 | | |
| 9 | 484401-0681 | | FILTER | 1 | | FOR EVAP. |
| 10 | 484401-0871 | | FILTER | 3 | | FOR COND. |
| 11 | 484300-0400 | | FRAME ASSY | 1 | | FOR EVAP. |
| 12 | 484300-0380 | | FRAME ASSY | 3 | | FOR COND. |
| 13 | 484911-0300 | | BOLT, SPACER | 4 | | M16,HEX. SIZE 19 |
| 14 | 481108-0011 | | EYENUT | 4 | | M16 |
| 15 | 484930-1270 | | WIRE ASSY | 1 | | POWER CORD |
| 16 | 479748-0020 | | CONNECTOR | 1 | | FOR POWER CORD |
| 17 | 481202-0040 | | NUT, HOLDER | 4 | | M16,HEX. SIZE 27 |
| 18 | 484911-0160 | | BOLT, SPACER | 4 | | M16,HEX. SIZE 27 |
| 19 | 949821-0030 | | BAND | 10 | | L100, WIDTH 2.5 |
| 20 | 482902-0280 | | STRAP | 11 | | L142, WITDH3.5 |
| 21 | 949821-0050 | | BAND | 6 | | L203, WIDTH 4 |
| 30 | 90200-20001 | | WASHER, PLATE | 4 | | T3.2 |
| 31 | 90200-17001 | | WASHER, PLATE | 4 | | T3 |
| 33 | 90201-06400 | | WASHER, PLATE | 1 | | FOR GROUND |
| 34 | 90051-06120 | | SCREW, CROSSRECESS PAN | 1 | | M6,L12, FOR GROUND |
| 35 | 91570-06147 | | BOLT, WWASHER | 59 | | M6,L14 |

UNIT ASSY CLASSIC 40 (30HU)

Manufacturing date: On March 2006 (0306)
After June 2006 (0606)



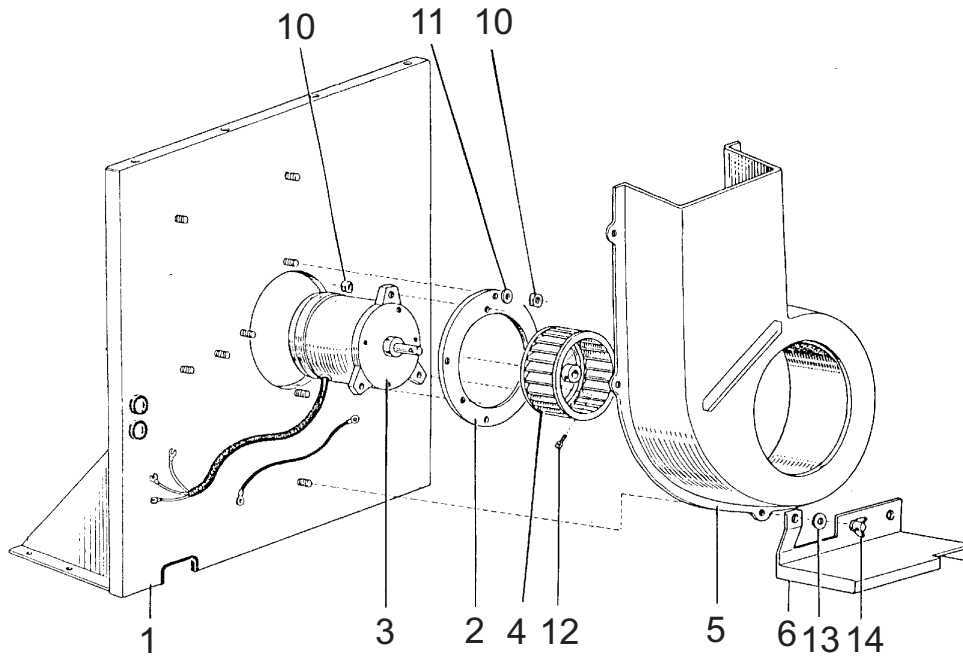
IH0030

| ILLUSTRATION NUMBER | DENSO NUMBER | MANUFACTURER NUMBER | DESCRIPTION | QTY | MODIFICATION DATE | REMARKS |
|---------------------|--------------|---------------------|------------------------|-----|-------------------|----------------------|
| 1 | 484650-2540 | | COMPRESSOR ASSY | 1 | | TYPE:ZR36K3-TF5-522 |
| 2 | 484600-0670 | | CORE ASSY | 1 | | EVAPORATOR |
| 3 | 484600-0660 | | CORE ASSY | 1 | | CONDENSER |
| 4 | 484640-0140 | | TUBE ASSY, CAPILLARY | 1 | | |
| 5 | 484660-0160 | | SWITCH ASSY, PRESSURE | 1 | | HIGH PRESSURE SWITCH |
| 6 | 481799-0250 | | ACCESSORY KIT, SERVICE | 1 | | COMP. MOUNT PARTS |
| 7 | 484800-0440 | | PIPE ASSY | 1 | | *1 |
| 10 | 90201-04300 | | WASHER, PLATE | 1 | | T0.8 |
| 11 | 91051-04100 | | SCREW, CROSSRECESS PAN | 1 | | M4,L10 |
| 12 | 480919-0100 | | BOLT | 4 | | M6,L12 |

*1 This is supplied with 5 pieces per one package.

BLOWER ASSY, EVAPORATOR CLASSIC 40 (30HU)

Manufacturing date: On March 2006 (0306)
After June 2006 (0606)

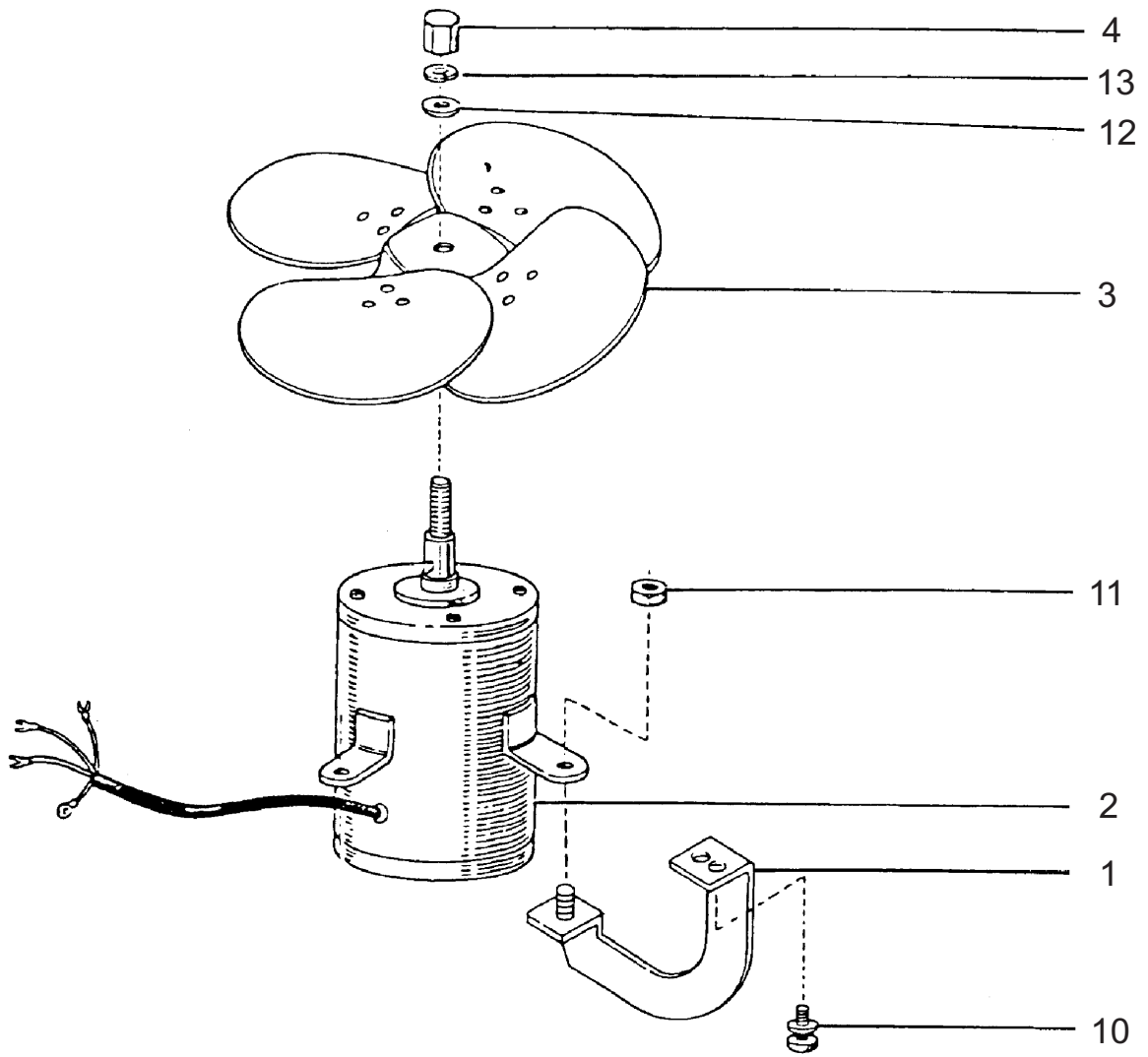


IH0031

| ILLUSTRATION NUMBER | DENSO NUMBER | MANUFACTURER NUMBER | DESCRIPTION | QTY | MODIFICATION DATE | REMARKS |
|---------------------|--------------|---------------------|-----------------------|-----|-------------------|---------|
| 1 | 484310-0941 | | FRAME SUB-ASSY | 1 | | |
| 2 | 484280-0020 | | RING SUB-ASSY | 1 | | |
| 3 | 484211-0331 | | MOTOR | 1 | | |
| 4 | 484221-0072 | | FAN | 1 | | |
| 5 | 484382-0051 | | GUARD, FAN | 1 | | |
| 6 | 484391-0530 | | COVER | 1 | | |
| 10 | 92150-08081 | | NUT, FLANGE | 7 | | M8 |
| 11 | 949016-0320 | | WASHER, TOOTHED | 4 | | ID8.4 |
| 12 | 949041-0940 | | BOLT, SLOTTED HEXAGON | 1 | | |
| 13 | 90200-05221 | | WASHER, PLATE | 5 | | T1 |
| 14 | 90130-05001 | | NUT, WING | 5 | | M5 |

BLOWER ASSY, CONDENSER CLASSIC 40 (30HU)

Manufacturing date: On March 2006 (0306)
After June 2006 (0606)



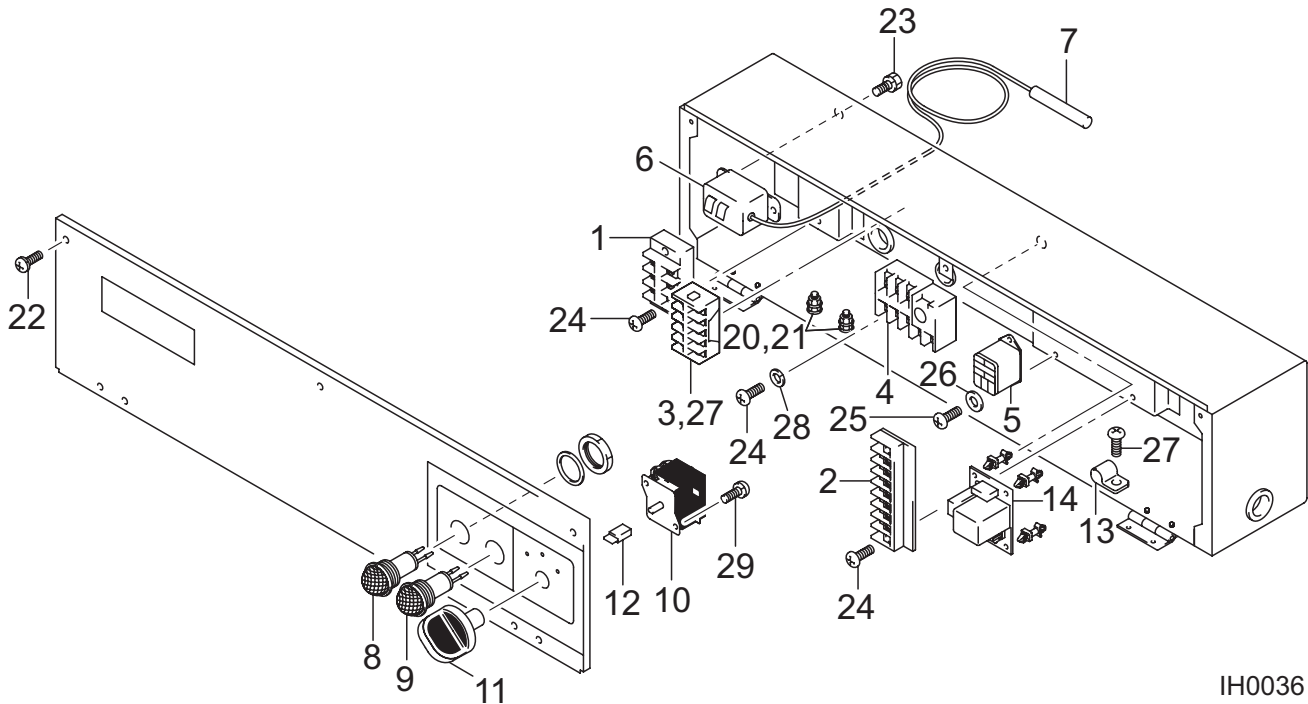
BLOWER ASSY, CONDENSER CLASSIC 40 (30HU)

Manufacturing date: On March 2006 (0306)
After June 2006 (0606)

| ILLUSTRATION NUMBER | DENSO NUMBER | MANUFACTURER NUMBER | DESCRIPTION | QTY | MODIFICATION DATE | REMARKS |
|---------------------|--------------|---------------------|---------------|-----|-------------------|----------------|
| 1 | 484340-1020 | | STAY SUB-ASSY | 4 | | |
| 2 | 484211-0341 | | MOTOR | 1 | | |
| 3 | 484221-0060 | | FAN | 1 | | |
| 4 | 481216-0020 | | NUT, BAG | 1 | | FOR LEFT SCREW |
| 10 | 91570-06147 | | BOLT, WWASHER | 8 | | M6,L14 |
| 11 | 92150-08081 | | NUT, FLANGE | 4 | | M8 |
| 12 | 949192-4540 | | COLLAR, STEEL | 1 | | |
| 13 | 949017-1270 | | WASHER, WAVE | 1 | | T1.2 |

CONTROLLER ASSY CLASSIC 40 (30HU)

Manufacturing date: On March 2006 (0306)
After June 2006 (0606)



IH0036

| ILLUSTRATION NUMBER | DENSO NUMBER | MANUFACTURER NUMBER | DESCRIPTION | QTY | MODIFICATION DATE | REMARKS |
|---------------------|--------------|---------------------|---------------------------------------|-----|-------------------|------------------------------------|
| 1 | 484503-0093 | | CONTROLLER ASSY | 1 | | |
| 2 | 484503-0051 | | TERMINAL | 1 | | |
| 3 | 484531-0160 | | RELAY | 1 | | FOR EVAP. FAN MOTOR |
| 4 | 484505-0190 | | THERMAL (OVERCURRENT RELAY) | 1 | | FOR EVAP. FAN MOTOR |
| 5 | 484531-0170 | | RELAY | 1 | | |
| 6 | 484504-0020 | | THERMOSTAT | 1 | | FOR ANTIFREEZING |
| 7 | 484922-0080 | | CAP | 1 | | |
| 8 | 484933-0110 | | LAMP | 1 | | COLOR: CLEAR |
| 9 | 484933-0120 | | LAMP | 1 | | COLOR: RED |
| 10 | 484502-0260 | | SWITCH | 1 | | |
| 11 | 484923-0150 | | KNOB | 1 | | |
| 12 | 484917-0131 | | CLIP | 1 | | |
| 13 | 480841-0140 | | CLIP | 1 | | D12 |
| 14 | 484009-0710 | | REVERSE PHASE RELAY KIT | 1 | | For manufacturing date on 03.06 |
| 14 | 484500-3290 | | CONTROLLER ASSY (REVERSE PHASE RELAY) | 1 | | For manufacturing date after 06.06 |
| 20 | 91161-04320 | | NUT, HEXAGON | 4 | | M4 |
| 21 | 90201-04300 | | WASHER, PLATE | 4 | | T0.8 |

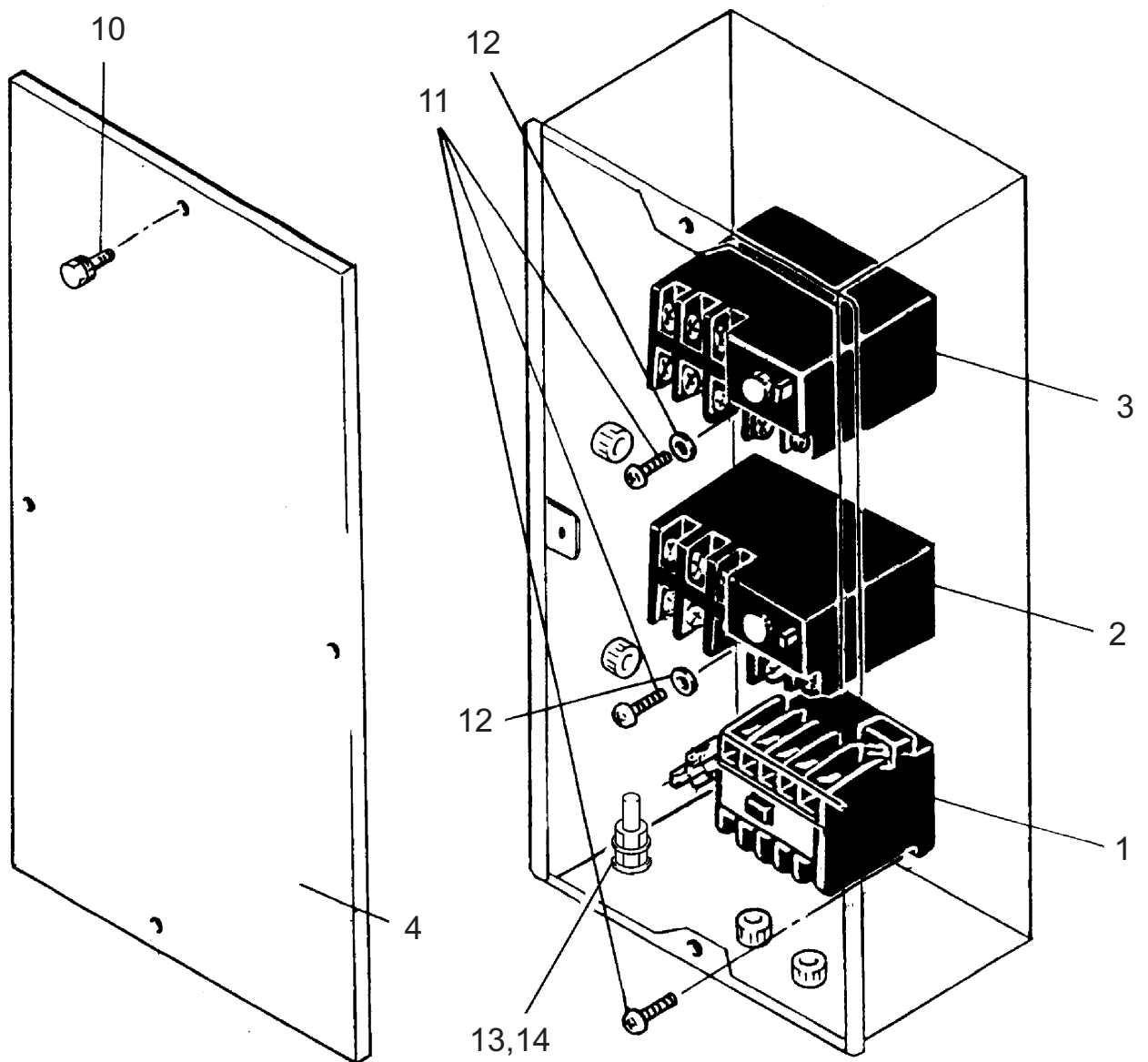
CONTROLLER ASSY CLASSIC 40 (30HU)

Manufacturing date: On March 2006 (0306)
After June 2006 (0606)

| ILLUSTRATION NUMBER | DENSO NUMBER | MANUFACTURER NUMBER | DESCRIPTION | QTY | MODIFICATION DATE | REMARKS |
|---------------------|--------------|---------------------|-----------------|-----|-------------------|---------|
| 22 | 91370-04107 | | SCREW, W/WASHER | 3 | | M4,L10 |
| 23 | 949047-0220 | | BOLT, W/WASHER | 2 | | M4,L8 |
| 24 | 949006-3280 | | SCREW | 6 | | M4,L18 |
| 25 | 949006-4440 | | SCREW | 2 | | M3,L8 |
| 26 | 90200-03081 | | WASHER, PLATE | 2 | | T0.5 |
| 27 | 949006-3250 | | SCREW | 3 | | M4,L10 |
| 28 | 90200-04001 | | WASHER, PLATE | 4 | | T0.5 |
| 29 | 91370-04081 | | SCREW, W/WASHER | 2 | | M4,L8 |

SUB CONTROLLER ASSY CLASSIC 40 (30HU)

Manufacturing date: On March 2006 (0306)
After June 2006 (0606)



IH0033

SUB CONTROLLER ASSY CLASSIC 40 (30HU) Manufacturing date: On March 2006 (0306)
 After June 2006 (0606)

| ILLUSTRATION NUMBER | DENSO NUMBER | MANUFACTURER NUMBER | DESCRIPTION | QTY | MODIFICATION DATE | REMARKS |
|---------------------|--------------|---------------------|-----------------------------|-----|-------------------|---------------------|
| | | | CONTROLLER ASSY | | | |
| 1 | 484531-0180 | | RELAY | 1 | | FOR COMP. |
| 2 | 484505-0200 | | THERMAL (OVERCURRENT RELAY) | 1 | | FOR COMP. |
| 3 | 484505-0210 | | THERMAL (OVERCURRENT RELAY) | 1 | | FOR COND. FAN MOTOR |
| 4 | 484391-0740 | | COVER | 1 | | |
| 10 | 91370-04107 | | SCREW, W/WASHER | 4 | | M4,L10 |
| 11 | 949006-3280 | | SCREW | 6 | | M4,L18 |
| 12 | 90200-04001 | | WASHER, PLATE | 4 | | T0.5 |
| 13 | 91161-04320 | | NUT, HEXAGON | 3 | | M4 |
| 14 | 90201-04300 | | WASHER, PLATE | 3 | | T0.8 |

DENSO CORPORATION

SERVICE DEPARTMENT

Kariya, Aichi, Japan

First Issue : March, 2007

Publication No. : IZZPH02A

Printed in Japan