

SPARE PARTS CATALOG

Classic 18

SERIAL NUMBER FROM JANUARY 2008 (0108) TO PRESENT



MOVIN**COOL**®
THE #1 SPOT COOLING SOLUTION

MOVINCOOL®

Classic 18 (15SFU-1)
SPARE PARTS CATALOG

Unit Part No:
484000-3880

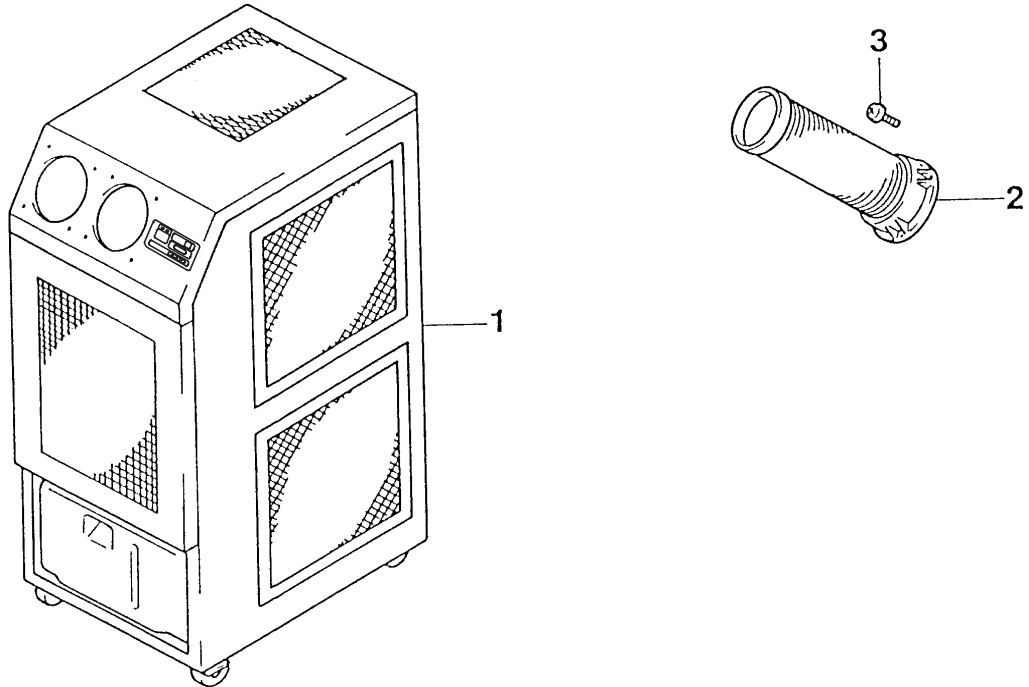
Production period
From January 2008

DENSO CORPORATION

© 2008 DENSO CORPORATION

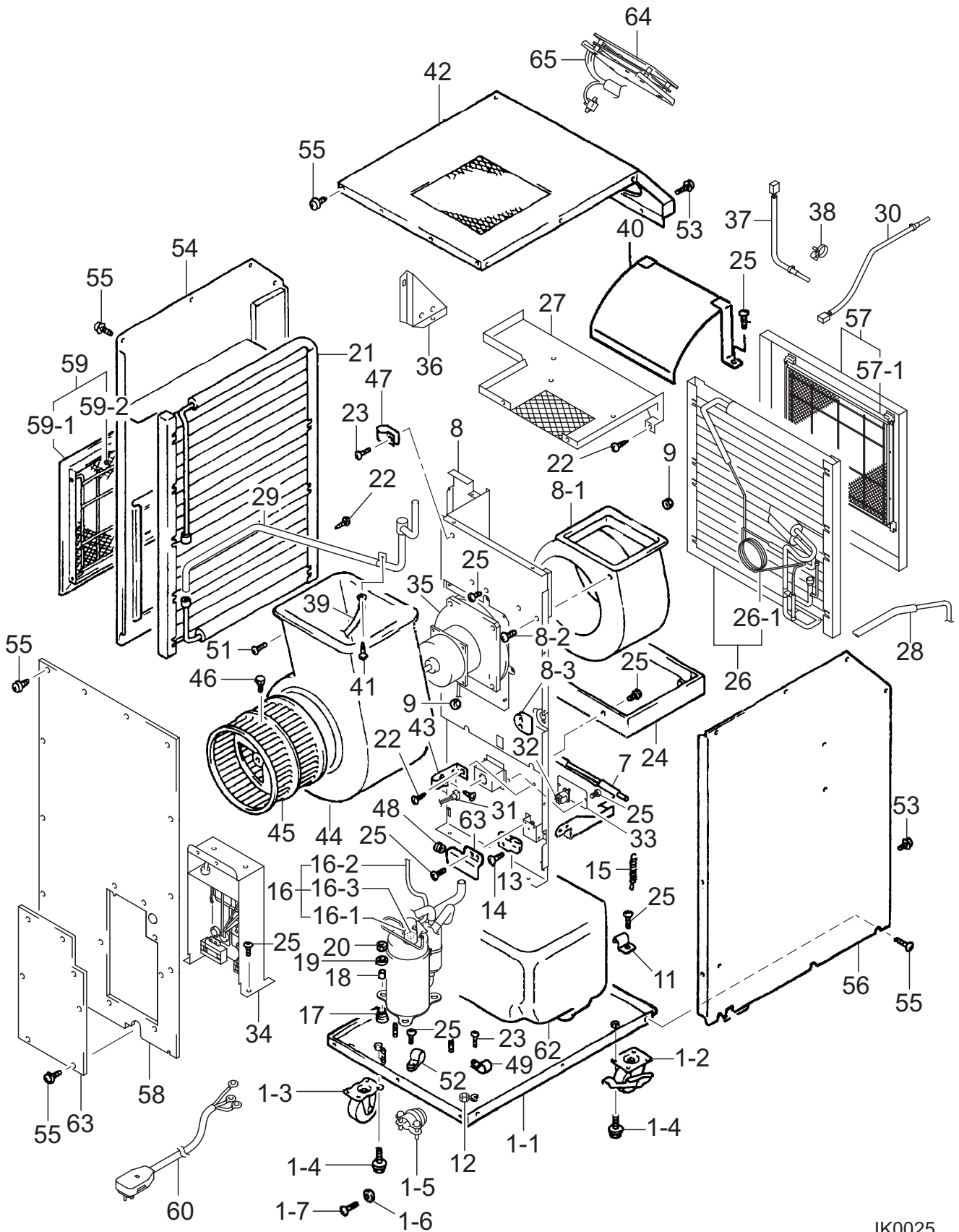
All Rights Reserved. This book may not be reproduced or copied, in whole or in part, without the written permission of the publisher.

DESCRIPTION	NUMBER	PRODUCTION PERIOD	REMARKS
CLASSIC 18 (15SFU-1)	484000-3880	From January 2008	



IK0024

ILLUSTRATION NUMBER	DENSO NUMBER	MANUFACTURER NUMBER	DESCRIPTION	QTY	MODIFICATION DATE	REMARKS
1			UNIT ASSY			SEE PAGE 4
2	484350-0111		DUCT ASSY	2		
3	91370-06121		SCREW, W/WASHER	8		M6,L12

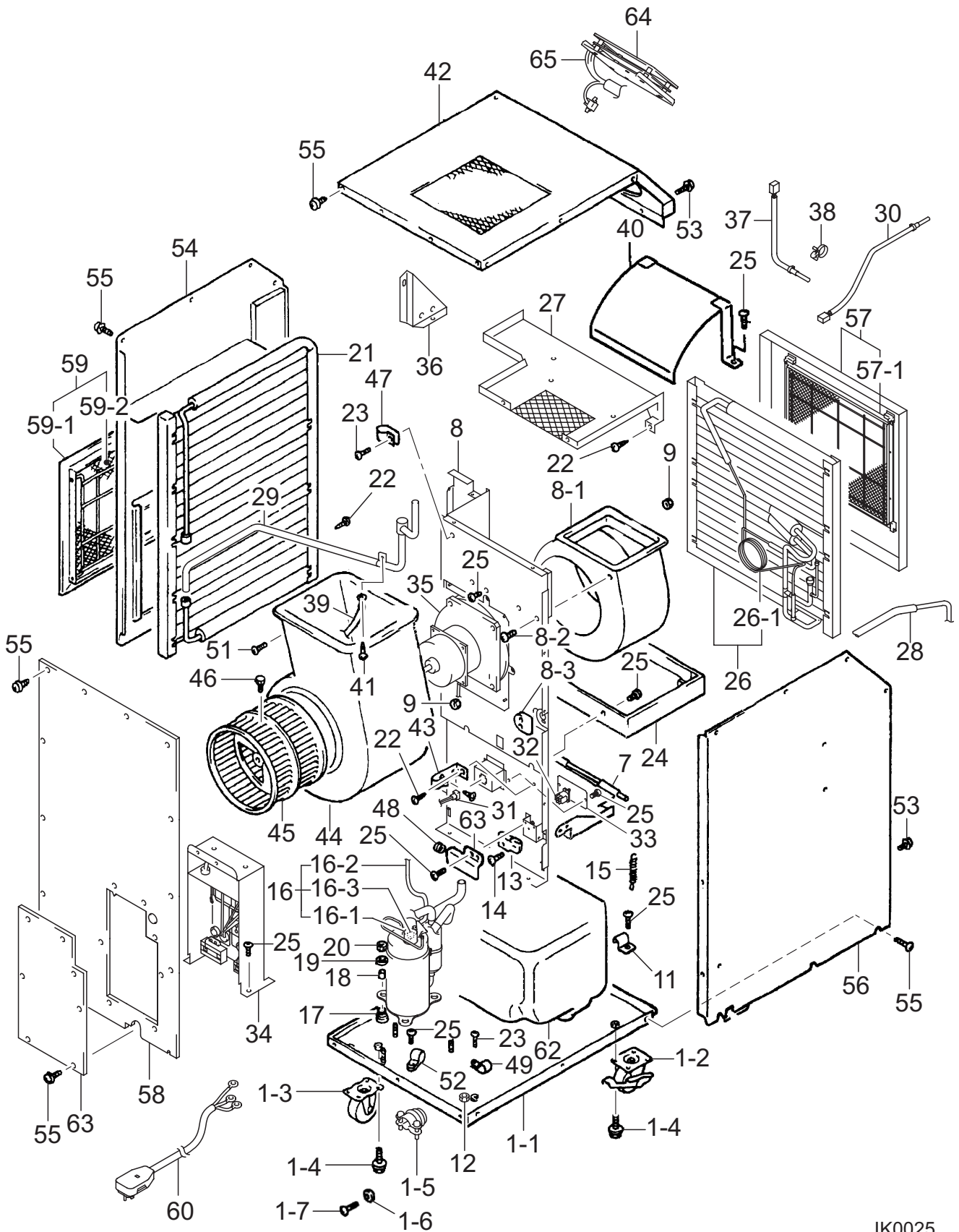


IK0025

UNIT ASSY

484100-2910

ILLUSTRATION NUMBER	DENSO NUMBER	MANUFACTURER NUMBER	DESCRIPTION	QTY	MODIFICATION DATE	REMARKS
0			UNIT ASSY			
1			FRAME ASSY			
1-1			FRAME SUB-ASSY			
1-2	484702-0240		ROLLER	2		W/LOCK
1-3	484702-0250		ROLLER	2		
1-4	91510-08141		BOLT, W/WASHER	8		M8,L14
1-5	479748-0020		CONNECTOR	1		
1-6	90201-06400		WASHER, PLATE	1		GROUND
1-7	90051-06120		SCREW, CROSS RECESS PAN	1		M6,L12,GROUND
7	484310-5330		FRAME SUB-ASSY	1		
8			FRAME ASSY	1		
8-1	484261-0010		CASING	1		
8-2	91370-06161		SCREW, W/WASHER	4		M6,L16
8-3	484926-0120		GROMMET	1		
9	949056-1430		NUT	13		M6
11	484927-0970		HOLDER	1		
12	949056-1501		NUT	7		M4
13	484502-0520		SWITCH	1		(DS)
14	91310-03161		SCREW, W/WASHER	2		M3,L16
15	949171-2090		SPRING, TENSION COIL	2		
16	484650-2780		COMPRESSOR ASSY	1		W/ILL. 16-1~16-3
16-1	484501-0390		RELAY, OVERLOAD	1		
16-2	484930-9890		WIRE ASSY	1		
16-3	484391-2130		COVER	1		
17	484904-0150		CUSHION	3		
18	949192-5550		COLLAR, STEEL	3		ID10.2
19	949011-5330		WASHER, STEEL PLATE	3		
20	90190-08651		NUT, HEXAGON	3		M8
21	484600-0320		CORE ASSY	1		
22	949001-1570		SCREW, TAPPING	6		D4,L10
23	949006-6140		SCREW	4		M4,L16
24	484430-0120		PAN ASSY, DRAIN	1		
25	949006-5850		SCREW	21		M4,L10
26	484600-2300		CORE ASSY	1		W/ILL. 26-1
26-1	484800-1000		PIPE ASSY	1		CAPILLARY
27	484340-3120		STAY SUB-ASSY	1		
28	484800-4400		PIPE ASSY	1		
29	484800-4420		PIPE ASSY	1		
30	482780-1540		THERMISTOR ASSY	1		ANTI FREEZE
31	484930-9921		WIRE ASSY	1		FOR DRAIN PUMP
32	484930-9930		WIRE ASSY	1		JUMPER CONNECTOR
33	484311-2880		PLATE	1		



IK0025

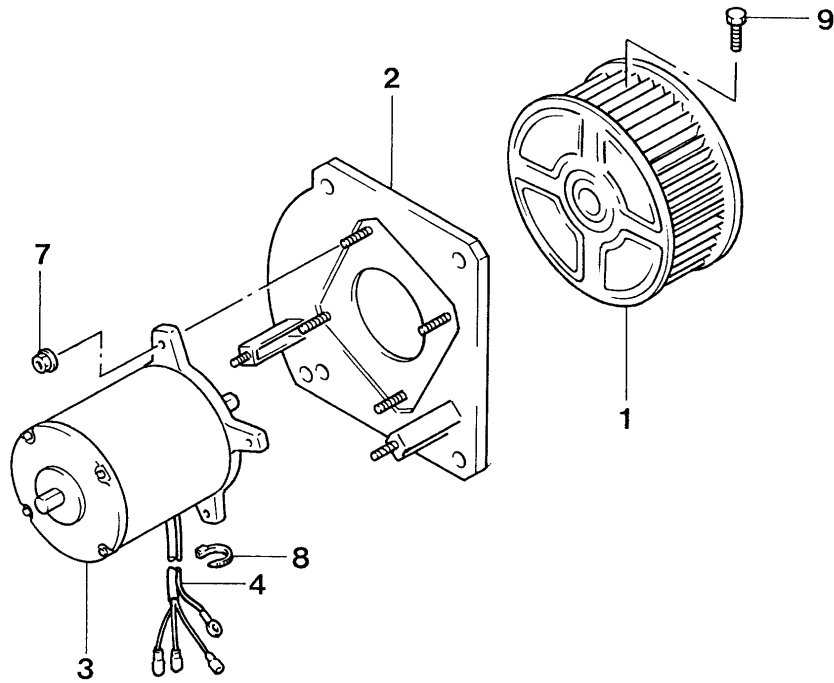
UNIT ASSY

484100-2910

ILLUSTRATION NUMBER	DENSO NUMBER	MANUFACTURER NUMBER	DESCRIPTION	QTY	MODIFICATION DATE	REMARKS
34			CONTROLLER ASSY			SEE PAGE 10
35			BLOWER ASSY			SEE PAGE 8
36	484320-0660		BRACKET SUB-ASSY	1		
37	482780-1550		THERMISTOR ASSY	1		ROOM
38	482852-0930		CLIP, NONMETALLIC	1		
39	484930-0771		WIRE ASSY	1		GROUND
40	484340-0920		STAY SUB-ASSY	1		
41	91051-04100		SCREW, CROSS RECESS PAN	1		M4,L10,GROUND
42	484410-8880		PANEL ASSY	1		
43	484927-0151		HOLDER	1		
44	484261-0070		CASING	1		
45	484221-0350		FAN	1		
46	949040-6150		BOLT, HEXAGON	1		M8,L18.5
47	484391-2420		COVER	1		
48	484926-0290		GROMMET	1		
49	481902-0030		CLAMP	1		
51	949007-3600		SCREW, W/WASHER	2		M4,L14
52	949350-3030		CLIP, CORD	1		D15.2
53	949008-0850		SCREW, TAPPING, W/WASHER	4		
54	484410-8890		PANEL ASSY	1		
55	949007-6700		SCREW, W/WASHER	42		M4,L10
56	484410-8850		PANEL ASSY	1		
57	484410-8910		PANEL ASSY	1		
57-1	484401-0661		FILTER	1		
58	484410-8900		PANEL ASSY	1		
59	484400-0190		FILTER ASSY	2		W/ILL. 59-1,59-2
59-1	484300-0260		FRAME ASSY	1		
59-2	484401-0661		FILTER	1		
60	484930-8580		WIRE ASSY	1		POWER CORD
62	484731-0021		TANK	1		
63	484470-4310		PANEL SUB-ASSY	1		
64	484560-2090		SWITCH ASSY	1		(CB)
65	484930-9880		WIRE ASSY	1		

BLOWER ASSY

484200-0310



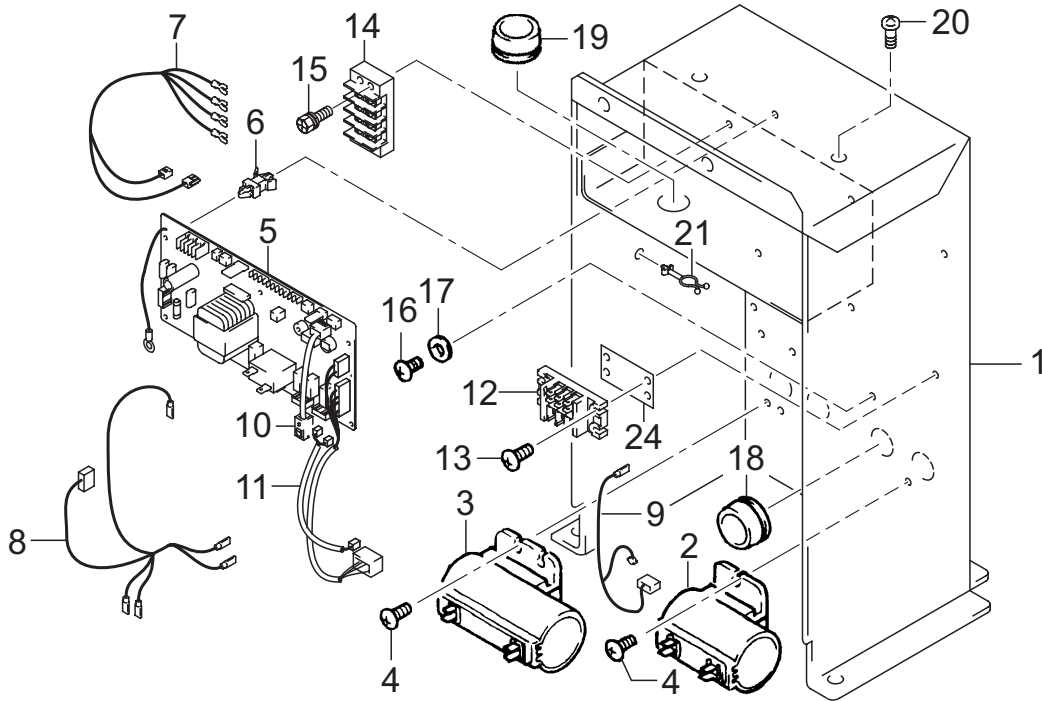
IM0055

ILLUSTRATION NUMBER	DENSO NUMBER	MANUFACTURER NUMBER	DESCRIPTION	QTY	MODIFICATION DATE	REMARKS
0			BLOWER ASSY			
1	484221-0290		FAN	1		
2	484330-0340		STAY ASSY	1		
3	484211-1281		MOTOR	1		
4	484930-0760		WIRE ASSY	1		
7	92150-06061		NUT, FLANGE	4		M6
8	480841-0010		CLIP	2		L100
9	949040-6150		BOLT, HEXAGON	1		M8,L18.5

[MEMO]

CONTROLLER ASSY

484500-3560



IK0023

ILLUSTRATION NUMBER	DENSO NUMBER	MANUFACTURER NUMBER	DESCRIPTION	QTY	MODIFICATION DATE	REMARKS
0			CONTROLLER ASSY			
1	484520-1141		BOX SUB-ASSY	1		
2	484507-0470		CONDENSER	1		10 μ F,400V
3	484507-0450		CONDENSER	1		25 μ F,370V
4	949006-3250		SCREW	3		M4,L10
5	484500-3540		CONTROLLER ASSY	1		(RB)
6	482125-3170		SUPPORT	6		
7	484930-9840		WIRE ASSY	1		
8	484930-9901		WIRE ASSY	1		
9	484930-9910		WIRE ASSY	1		
11	484930-9961		WIRE ASSY	1		(RB)~(DS,CB)
12	484503-0430		TERMINAL	1		
13	949006-3280		SCREW	2		M4,L18
14	484503-0910		TERMINAL	1		
15	91310-03161		SCREW, W/WASHER	2		M3,L16
16	91051-04100		SCREW, CROSS RECESS PAN	4		M4,L10
17	90201-04300		WASHER, PLATE	4		T0.8
18	949321-3010		GROMMET	4		

CONTROLLER ASSY

484500-3560

ILLUSTRATION NUMBER	DENSO NUMBER	MANUFACTURER NUMBER	DESCRIPTION	QTY	MODIFICATION DATE	REMARKS
19	949321-3000		GROMMET	1		
20	949006-5850		SCREW	2		M4,L10
21	473459-0160		CLAMP	1		
22	484531-0790		RELAY	1		
23	185642-0090		HOLDER	1		
24	484311-1650		PLATE	1		

DENSO CORPORATION

SERVICE DEPARTMENT

Kariya, Aichi, Japan

First Issue : January, 2008

Publication No. : IZZPK02

Printed in Japan